

## Magnetventile/Solenoid valves

Scem/Parker



Abb. Pict.	Bestell-Nr. Order-No.	Beschreibung Description
1	370057	kpl., 3 Wege, 230VAC cpl., 3 ways, 230VAC
1	370058	kpl., 3 Wege, 24VDC cpl., 3 ways, 24VDC
2	370059	kpl., (Cappuccinatore), 3 Wege, 230VAC cpl., (Cappuccinatore) 3 ways, 230VAC
3	370206	kpl., 1/8", 2 Wege, 230VAC cpl., 1/8", 2 ways, 230VAC
3	370067	kpl., 1/4", 2 Wege, 230VAC cpl., 1/4", 2 ways, 230VAC



Abb. Pict.	Bestell-Nr. Order-No.	Beschreibung Description
1	370062	Ventilkörper Solenoid square pin
2	371029	Magnetspule, 230VAC Magnetic coil, 230VAC
2	371030	Magnetspule, 24VDC Magnetic coil, 24VDC

Lucifer



Abb. Pict.	Bestell-Nr. Order-No.	Beschreibung Description
1	370053	Magnetventil/kpl., 3 Wege, 230VAC Solenoid valve/cpl., 3ways, 230VAC
2	370061	Ventilkörper Solenoid square pin
3	371031	Magnetspule, 230VAC Magnetic coil, 230VAC

## Magnetventile Zubehör/Solenoid valve accessories

Scem/Parker, Lucifer



Abb. Pict.	Bestell-Nr. Order-No.	Beschreibung Description
1	371090	Stecker/groß Plug/big
2	371095	O-Ring (Viton) O-Ring (viton)
3	371100	O-Ring (Silikon) O-Ring (silicon)

## Magnetventile/Solenoid valves

Sirai

M&M



Abb. Pict.	Bestell-Nr. Order-No.	Beschreibung Description
1	370168	Magnetventil/kpl., 1/8", 2 Wege, 230VAC Solenoid valve/cpl., 1/8", 2 ways, 230VAC
2	371071	Magnetspule, 230VAC Magnetic coil, 230VAC
3	370068	Ventil/kpl., 2 Wege, 230VAC Solenoid/cpl., 2 ways, 230VAC
4	371022	Magnetspule, 230VAC Magnetic coil, 230VAC

## Magnetventile Zubehör/Solenoid valve accessories

Sirai



Abb. Pict.	Bestell-Nr. Order-No.	Beschreibung Description
1	371091	Stecker/klein Plug/small
2	371095	O-Ring/Viton O-Ring/viton
3	371100	O-Ring/Silikon O-Ring/silicon

Passend für/Suitable for Faema

## 1 Pressostate/Pressure switches

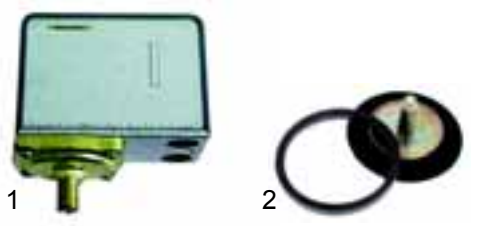


Abb. Pict.	Best.-Nr. Ord.-No.	Beschreibung Description	Gerätetyp Device type	Vergl.-Nr. Comp.-No.
1	541021	Pressostat, 3-polig Pressure switch, 3-polig		2231-116597
2	520139	Membranen-Satz Membrane-kit		

## Thermostate/Thermostats

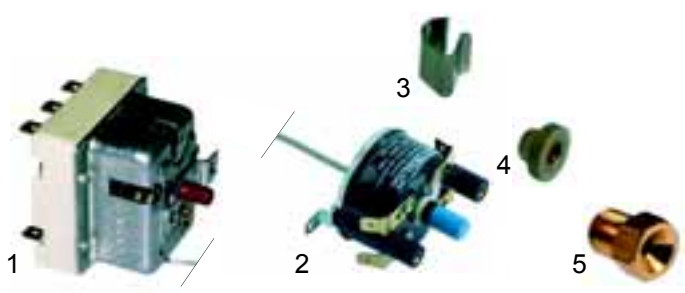


Abb. Pict.	Bestell-Nr. Order-No.	Beschreibung Description	Vergl.-Nr. Comp.-No.
1	390166	Sicherheitsthermostat, 3-polig Safety thermostat, 3 poles	3231-133006
2	390154	Stiebel-Sicherheitsthermostat Stiebel-safety thermostat	
3	550006	Klemmfeder Clamp spring	
4	550350	Spezial-Konus (Stiebel) Special-cone (Stiebel)	
5	550351	Überwurfschraube (Stiebel) Pipe upper nut (Stiebel)	



Abb. Pict.	Bestell-Nr. Order-No.	Beschreibung Description
1	390152	Anlegethermostat, M4, 107°C, Kaffee Stoke thermostat, M4, 107°C, coffee
1	390153	Anlegethermostat, M4, 135°C, Dampf Stoke thermostat, M4, 135°C, steam
2	390370	Sicherheitsthermostat, M4, 145°C Safety thermostat, M4, 145°C

## Temperaturfühler, Triacs/Temperatur sensors, triacs



Abb. Pict.	Bestell-Nr. Order-No.	Beschreibung Description	Vergl.-Nr. Comp.-No.
1	400082	NTC-Fühler NTC-sensor	3761-117825
2	528487	Dichtung Gasket	4701-116687
3	529360	Cu-Dichtung, 1/2" Cu-gasket, 1/2"	4701-024552
4	400083	Temperatur-Fühler Temperature sensor	3761-132007
5	400032	Triac Triac	4761-117735

## Schalter/Switches



Abb. Pict.	B.-Nr. O.-No.	Beschreibung Description	Gerätetyp Device type	Vergl.-Nr. Comp.-No.
1	345145	Hauptschalter Main switch	P4 - P6	
2	345147	Hauptschalter Main switch	No-Stop, Star, Tronic, Special, Express, E91, Due	2761-130012
3	345150	Hauptschalter Main switch	Compact	3761-119055
4	110205	Knebel Knob		



Abb. Pict.	B.-Nr. O.-No.	Beschreibung Description	Gerätetyp Device type	Vergl.-Nr. Comp.-No.
1	345033	Gruppenschalter, 1 Serie Group switch, 1 serie	Star	
2	345142	Gruppenschalter, 2 Serie Group switch, 2 serie	Special	3761-130381
3	345160	Schalter, 2-polig Switch, 2-poles		

## Schalter/Switches



Abb. Pict.	Best.-Nr. Ord.-No.	Beschreibung Description	Gerätetyp Device type	Vergl.-Nr. Comp.-No.
1	345141	Schalter, 2-polig Switch, 2 poles	Dus, E91-S	3341-132683
2	345130	Taster, 1-polig Push button, 1 pole	Dus, E91-S	
3	400308	Druckknopf, E91/S Push button, E91/S	Dus, E91-S	4531-132425
4	346009	Tassenwärmerschalter Cup warmer switch	E91	

## Mikroschalter/Micro switches



Abb. Pict.	Bestell-Nr. Order-No.	Beschreibung Description	Gerätetyp Device type	Vergl.-Nr. Comp.-No.
1	345156	Microschalter Micro switch	E61	
2	345269	Microschalter Micro switch	P4/P6	
3	346006	Microschalter Micro switch	No-Stop	
4	346007	Microschalter Micro switch	Star-Tronik	

## Lampen/Lamps



Abb. Pict.	Bestell-Nr. Order-No.	Beschreibung Description
1	359043	Lampe/rot, 12mm, 230V Lamp/red, 12mm, 230V
2	359138	Lampe/rot, 10mm, 230V Lamp/red, 10mm, 230V
3	359140	Lampe/gelb, 10mm, 230V Lamp/yellow, 10mm, 230V
4	359400	Lampe/grün, 8mm, 230V Lamp/green, 8mm, 230V
5	359401	Lampe/rot, 8mm, 230V Lamp/red, 8mm, 230V

## Niveauregler/Level controllers



Abb. Pict.	Best.-Nr. Ord.-No.	Beschreibung Description	Gerätetyp Device type	Vergl.-Nr. Comp.-No.
1	400010	RL70/1E/2C/8		3341-117373
2	380137	Socket, 8-polig Base, 8 poles		
3	400020	Niveausonde, 150mm Level probe, 150mm		

## Flowmeter/Flowmeters



Abb. Pict.	Bestell-Nr. Order-No.	Beschreibung Description	Vergl.-Nr. Comp.-No.
1	400004	Flowmeter (Gicar), 1/4" Flowmeter (Gicar), 1/4"	
2	400005	Flowmeter, mit Abzweig, 1/4" Flowmeter, with turn-off, 1/4"	2251-131855
3	400256	Stecker Plug	
4	400257	Zählrad (Gicar) Flowmeter reel (Gicar)	
4	400259	Zählrad (Digmesa) Flowmeter reel (Digmesa)	4831-091782
5	400258	Gehäusedichtung Case gasket	4701-030130

## Tastaturen/Key push buttons



Abb. Pict.	Bestell-Nr. Order-No.	Beschreibung Description	Gerätetyp Device type	Vergl.-Nr. Comp.-No.
1	400080	Tastatur Key push button	Express	
2	400081	Tastatur Key push button	Compact	3761-131514

## Tastaturen/Key push buttons

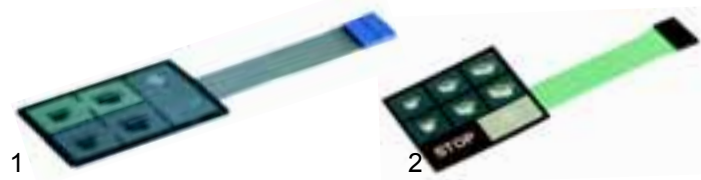


Abb. Pict.	Best.-Nr. Ord.-No.	Beschreibung Description	Gerätetyp Device type	Vergl.-Nr. Comp.-No.
1	400309	Tastatur Key push button	DUE A	3301-132842 3301-132827 3301-134930
2	400672	Tastatur Key push button	Express	3301-132463 3529-091848



Abb. Pict.	Best.-Nr. Ord.-No.	Beschreibung Description	Gerätetyp Device type	Vergl.-Nr. Comp.-No.
1	400674	Tastatur Key push button	E 97 A Express	3301-134529
2	400675	Tastatur Key push button	E 97S Special	3301-134530



Abb. Pict.	Best.-Nr. Ord.-No.	Beschreibung Description	Gerätet. Device t.	Vergl.-Nr. Comp.-No.
1	400574	Tastatur/Wasser Key push button/water	E 91 NA	3301-134295
2	400575	Abdeckung Cover	E 91 NA	4831-134292
3	400307	Taste/grau Push button/grey	E 91 NA	4533-133828

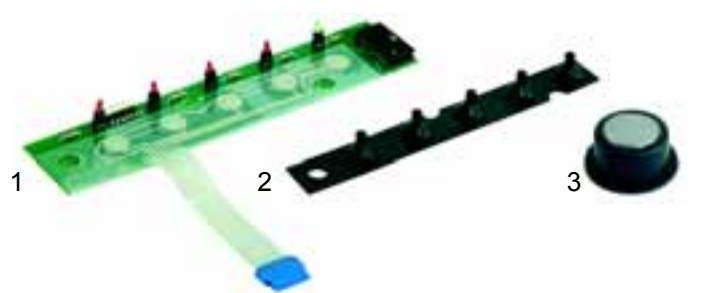


Abb. Pict.	Best.-Nr. Ord.-No.	Beschreibung Description	Gerätet. Device t.	Vergl.-Nr. Comp.-No.
1	400585	Tastatur/links Key push button/left	E 91 NA	3301-135184
2	400304	Abdeckung Cover	E 91 NA	4831-132302
3	400582	Taste/grau Push button/grey	E 91 NA	3533-133931

## Tastaturen/Key push buttons



Abb. Pict.	Bestell-Nr. Order-No.	Beschreibung Description	Gerätetyp Device type	Vergl.-Nr. Comp.-No.
1	400300	Tastatur/links Key push button/left	E91 A	3301-132570
2	400303	Abdeckung/links Cover/left	E91 A	4831-132300
3	400582	Taste/grau Push button/grey	E91 A	3533-133931

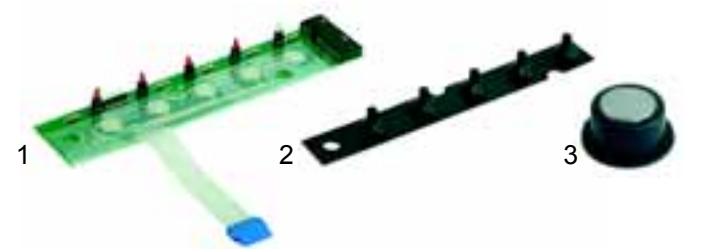


Abb. Pict.	Bestell-Nr. Order-No.	Beschreibung Description	Gerätet. Device t.	Vergl.-Nr. Comp.-No.
1	400301	Tastatur/mittig Key push button/middle	E91 A/NA	3301-131572
2	400304	Abdeckung Cover	E91 A/NA	4831-132302
3	400582	Taste/grau Push button/grey	E 91 A/NA	3533-133931

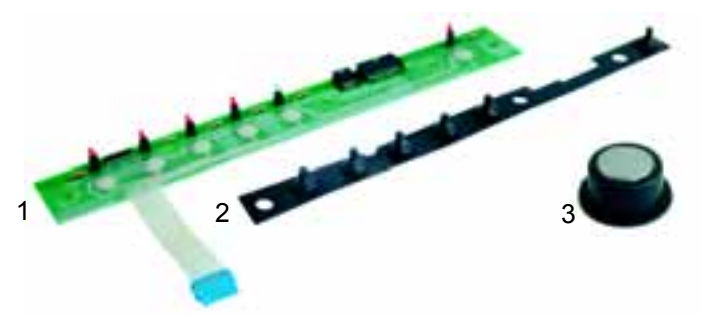


Abb. Pict.	Bestell-Nr. Order-No.	Beschreibung Description	Gerätet. Device t.	Vergl.-Nr. Comp.-No.
1	400302	Tastatur/rechts Key push button/right	E 91 A/NA	3301-132571
2	400305	Abdeckung/rechts Cover/right	E 91 A/NA	4831-132303
3	400582	Taste/grau Push button/grey	E 91 A/NA	3533-133931

## Tastaturen/Key push buttons



Abb. Pict.	B.-Nr. O.-No.	Beschreibung Description	Gerätet. Device t.	Vergl.-Nr. Comp.-No.
1	400580	Tastatur Key push button	E 91 NS	3301-133922
2	400581	Abdeckung Cover	E 91 NS	4831-134255
3	400582	Taste/grau Push button/grey	E91 NS	3533-133931



Pos. Item	Best.-Nr. Ord.-No.	Beschreibung Description	Gerätetyp Device type	Vergl.-Nr. Comp.-No.
1	400685	Platine Electronic control	E 91 NA, E91 A, E91 DA,	3341-135069 3341-134037 3341-134038 3761-132135 3761-132142 3301-132720 3301-132721

## Platinen/Electronic controls

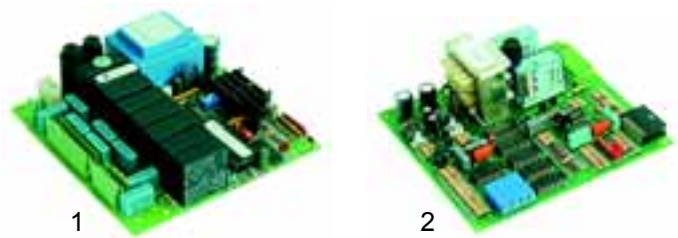


Abb. Pict.	Best.-Nr. Ord.-No.	Beschreibung Description	Gerätetyp Device type	Vergl.-Nr. Comp.-No.
1	400680	Platine Electronic control	DUE A/S E 97 A/S E 98 Diplomat A/S E 91 S	3341-132868 3341-135683
2	400684	Platine Electronic control	Compact A	3761-119516



Pos. Item	Best.-Nr. Ord.-No.	Beschreibung Description	Gerätetyp Device type	Vergl.-Nr. Comp.-No.
1	400681	Platine, 1 Gr. Electronic control, 1 gr.	Express	3761-130706
2	400682	Platine, 2 Gr. Electronic control, 2 gr.	Express	3761-130707
3	400683	Platine, 3 Gr. Electronic control, 3 gr.	Express	3761-130708

## Pumpen/Pumps



Abb. Pict.	Bestell-Nr. Order-No.	Beschreibung Description	Gerätetyp Device type	Vergl.-Nr. Comp.-No.
1	500076	Motor Engine	Compact, Spezial, Express	2441-116600
2	500077	Motor Engine	Tronic, E91, Due	2441-133416
3	500062	Motor, 150W Engine, 150W	Universal	



Abb. Pict.	Bestell-Nr. Order-No.	Beschreibung Description
1	500078	Pumpe, Sonderausführung, 200L/h Pump, special type, 200L/h
2	500065	Pumpe, Sonderausführung, 200L/h Pump, special type, 200L/h
3	500066	Kupplungssatz Coupling set

## Pumpen/Pumps



Abb. Pict.	Bestell-Nr. Order-No.	Beschreibung Description
1	500173	Pumpe, (Ulka), EP5, 48W, 230V Pump, (Ulka), EP5, 48W, 230V
2	500124	Pumpe, (Ulka), EX5, 48W, 230V Pump, (Ulka), EX5, 48W, 230V
3	365015	Kondensator, 10µF Condenser, 10µF
3	365014	Kondensator, 12µF Condenser, 12µF

## Heizkörper/Heaters



Abb. Pict.	Bestell-Nr. Order-No.	Beschreibung Description
1	417002	Heizkörper, 1 Gruppe, 1500W, 230V, (E61) Heater, 1 group, 1500W, 230V, (E61)
2	417003	Heizkörper, 1 Gruppe, 1800W, 230V, (E61) Heater, 1 group, 1800W, 230V, (E61)
3	417001	Heizkörper, 2 Gruppen, 2600W, 230V E61, E64, E66, Heater, 2 groups, 2600W, 230V P4, P6, No-Stop

Mit Anschluss für Sicherheitsthermostat  
With connection for safety thermostat



Abb. Pict.	Bestell-Nr. Order-No.	Beschreibung Description
1	417004	Heizkörper, 1 + 2 Gruppen, 2400W, 230V Heater, 1 + 2 groups, 2400W, 230V
2	417103	Heizkörper, 2 Gruppen, 2600W, 230V Heater, 2 group, 2600W, 230V
2	417104	Heizkörper, 2 Gruppen, 3700W, 230V Heater, 2 groups, 3700W, 230V
3	417105	Heizkörper, 3 Gruppen, 3700W, 230V Heater, 3 groups, 3700W, 230V
3	417106	Heizkörper, 3 Gruppen, 5000W, 230V Heater, 3 groups, 5000W, 230V

## Heizkörper/Heaters

Mit Tauchhülse  
With immersion socket



Abb. Pict.	Bestell-Nr. Order-No.	Beschreibung Description
1	417107	Heizkörper, 1 Gruppe, 2500W, 230V Heater, 1 group, 2500W, 230V
2	417001	Heizkörper, 2 Gruppen, 2600W, 230V Heater, 2 group, 2600W, 230V
2	417108	Heizkörper, 2 Gruppen, 3500W, 230V Heater, 2 groups, 3500W, 230V
3	417109	Heizkörper, 3 Gruppen, 3700W, 230V Heater, 3 groups, 3700W, 230V
3	417110	Heizkörper, 3 Gruppen, 5000W, 230V Heater, 3 groups, 5000W, 230V

3-kreisig mit Tauchhülse  
3 circuits with immersion socket



Abb. Pict.	Bestell-Nr. Order-No.	Beschreibung Description
1	417111	Heizkörper, 2 Gruppen, 3750W/230/400V Heater, 2 groups, 3750W/230/400V
2	417112	Heizkörper, 2 + 3 Gruppen, 4500W/230/400V Heater, 2 + 3 groups, 4500W/230/400V
3	528488	Dichtung (Klingerit) Gasket (klingerit)
4	528002	Dichtung (Teflon) Gasket (teflon)

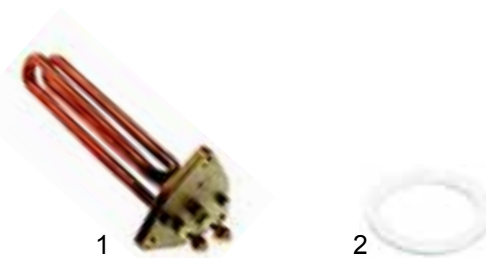


Abb. Pict.	Bestell-Nr. Order-No.	Beschreibung Description
1	417083	Heizkörper, 1 Gruppen, 1500W, 230V, (Compact A) Heater, 1 group, 1500W, 230V, (Compact A)
2	528022	Dichtung (Teflon) Gasket (teflon)

## 1 Heizkörper/Key push button



Abb. Pict.	Bestell-Nr. Order-No.	Beschreibung Description
1	417113	Heizkörper, 1000W, 230V, (Family) Heater, 1000W, 230V, (Family)
2	417114	Heizkörper, 800W, 230V, (Amica) Heater, 800W, 230V, (Amica)
3	417115	Heizkörper, 850W, 230V, (Ciao) Heater, 850W, 230V, (Ciao)



Abb. Pict.	Bestell-Nr. Order-No.	Beschreibung Description
1	528232	Kesseldichtung Pot gasket
2	528489	Heizkörperdichtung Heater gasket

## Kesseldichtungen/Pot gaskets



Abb. Pict.	Bestell-Nr. Order-No.	Beschreibung Description
1	528100	Dichtung/Teflon (No-Stop, Prestige) Gasket/teflon (No-Stop, Prestige)
2	528103	Dichtung/Klingerit, 16 Löcher (E61, Ariete) Gasket/klingerit, 16 holes (E61, Ariete)
2	528108	Dichtung/Klingerit, 12 Löcher (E61, Ariete) Gasket/klingerit, 12 holes (E61, Ariete)
3	528104	Dichtung/Teflon, 16 Löcher (E61, Ariete) Gasket/teflon, 16 holes (E61, Ariete)
3	528107	Dichtung/Teflon, 12 Löcher (E61, Ariete) Gasket/teflon, 12 holes (E61, Ariete)

## Kesselflansch/Pot flange



Abb. Pict.	Bestell-Nr. Order-No.	Beschreibung Description
1	528109	Flansch/12 Löcher, (E61, Ariete) Flange/12 holes, (E61, Ariete)
2	528111	Flansch/12 Löcher, (E61, Ariete) Flange/12 holes, (E61, Ariete)
3	528106	Ring/16 Löcher, (E61, Ariete) Ring/16 holes, (E61, Ariete)
3	528112	Ring/12 Löcher, (E61, Ariete) Ring/12 holes, (E61, Ariete)

## Manometer/Manometer



Abb. Pict.	Bestell-Nr. Order-No.	Beschreibung Description
1	541200	Manometer, 0 - 3bar (E61) Manometer, 0 - 3bar (E61)
2	541201	Manometer, 0 - 16bar (E61) Manometer, 0 - 16bar (E61)
3	541202	Manometer, Doppelskala (E64/E66) Manometer, doublescale (E64/E66)



Abb. Pict.	Bestell-Nr. Order-No.	Beschreibung Description
1	541203	Manometer, Doppelskala (No-Stop, P4, P6, Due, Special, Express, Star) Manometer, doublescale
2	541207	Manometer, 0 - 15bar (Supertronic) Manometer, 0 - 15bar (Supertronic)



Abb. Pict.	Bestell-Nr. Order-No.	Beschreibung Description
1	541205	Manometer, 0 - 2,5bar (E91) Manometer, 0 - 2,5bar (E91)
2	541206	Manometer, 0 - 16bar (E91) Manometer, 0 - 16bar (E91)



## Ventile/Valves



Abb. Pict.	Bestell-Nr. Order-No.	Beschreibung Description
1	529312	Sicherheitsventil, 1,8bar, 3/8" Safety valve, 1,8bar, 3/8"
2	529332	Sicherheitsventil/plombiert, 1,8bar, 3/8" Safety valv/sealed, 1,8bar, 3/8"
3	529303	Entlüftungsventil (CNS), 1/4" Empty valve (stainless steel), 1/4"
4	529304	Entlüftungsventil (CNS), 1/4" Empty valve (stainless steel), 1/4"
5	529349	Cu-Dichtung, 3/8" Cu-gasket, 3/8"
6	529361	Cu-Dichtung, 1/4" Cu-gasket, 1/4"



Abb. Pict.	Bestell-Nr. Order-No.	Beschreibung Description
1	529301	Rückschlagventil, 3/8" (Pumpe) Non-return valve, 3/8" (pump)
2	529329	Expansionsventil, 3/8" Expansion valve, 3/8"
3	528490	Rückschlagventil (E61) Non-return valve (E61)
4	529300	Expansionsventil (E61) Expansion valve (E61)

## Wasserstandsglas/Level glass

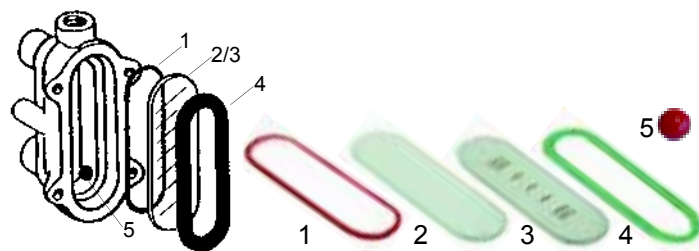


Abb. Pict.	Bestell-Nr. Order-No.	Beschreibung Description
1	529362	O-Ring O-ring
2	529366	Glas (E91, E97, Due, Tronic) Glass (E91, E97, Due, Tronic)
3	529365	Glas (Compact) Glass (Compact)
4	529363	Dichtung Gasket
5	529355	Plastikkugel Plastic ball

## Wasserstandsglas/Level glass

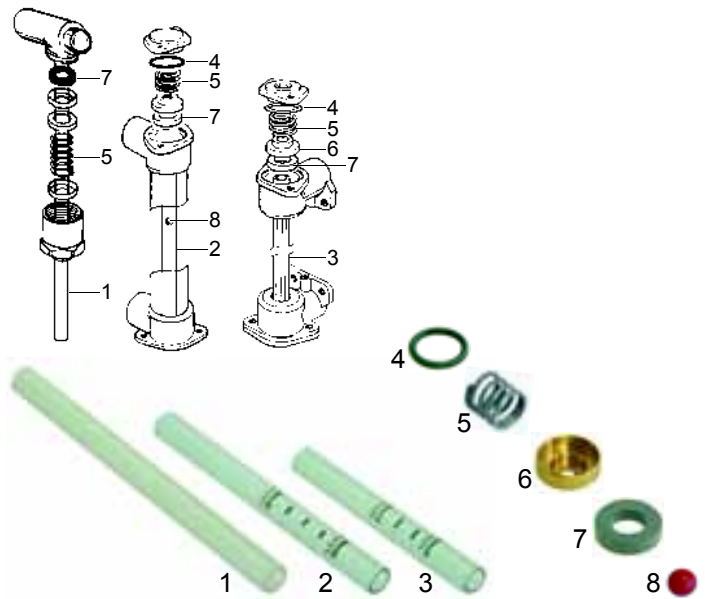


Abb. Pict.	Bestell-Nr. Order-No.	Beschreibung Description
1	529352	Wasserstandsglas, 12 x 175mm, (E61) Level glass, 12 x 175mm (E61)
2	529351	Wasserstandsglas, 12 x 135mm, (E61 - E64) Level glass, 12 x 135mm (E61 - E64)
2	529350	Wasserstandsglas, 12 x 130mm, (P4 - P6, No-Stop) Level glass, 12 x 130mm, (P4 - P6, No-Stop)
3	529353	Wasserstandsglas, 12 x 107mm, (Startronic) Level glass, 12 x 107mm, (Startronic)
4	529357	Dichtung Gasket
5	529356	Feder Spring
6	529358	Buchse Bush
7	529354	Dichtung Gasket
8	529355	Plastikkugel Plastic ball

## Ablaufwanne/Drain tap



Pos. Item	Bestell-Nr. Order-No.	Beschreibung Description
1	528609	Ablaufwanne (E61) Drain tap (E61)

## Hähne/Taps

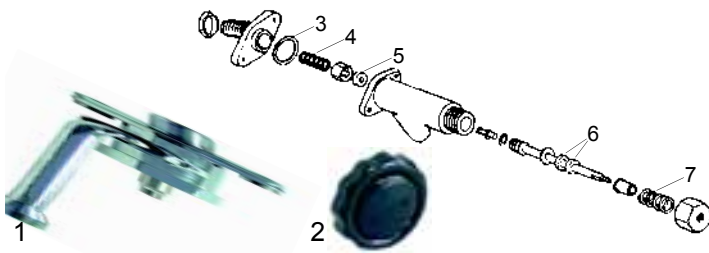
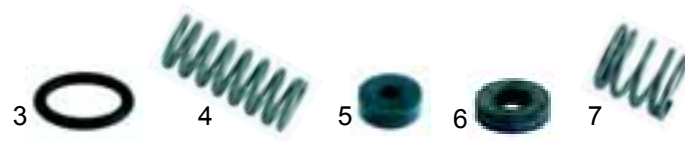


Abb. Pict.	Bestell-Nr. Order-No.	Beschreibung Description	Gerätetyp Device type
1	528491	Hahn/komplett, (Dampf/Wasser) Tap/complete, (steam/Water)	E 61
2	111028	Knebel Knob	



3	528492	Dichtung Gasket	
4	528493	Feder Spring	
5	528494	Dichtung Gasket	
6	528495	Dichtung Gasket	
7	528257	Feder Spring	

E64 - E66  
E64 - E66

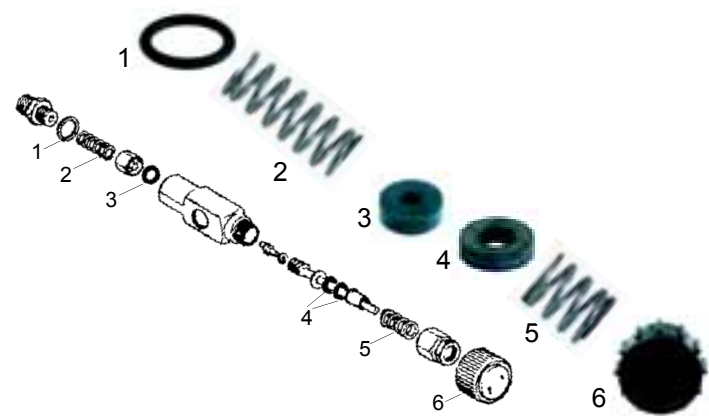


Abb. Pict.	Bestell-Nr. Order-No.	Beschreibung Description	Gerätetyp Device type
1	528496	Dichtung Gasket	
2	528497	Feder Spring	
3	528494	Dichtung Gasket	
4	528495	Dichtung Gasket	
5	528498	Feder Spring	
6	111029	Knebel Knob	

## Rohre/Pipes



Abb. Pict.	Bestell-Nr. Order-No.	Beschreibung Description	Gerätetyp Device type
1	529557	Dampfrohr, 25cm (E61) Steampipe, 25cm (E61)	
1	529558	Dampfrohr, 35cm (E61) Steampipe, 35cm (E61)	
2	529559	Wasserrohr, 25cm (E61) Waterpipe, 25cm (E61)	
3	529527	Strahlbrecher Perlator	
4	529513	Dampfdüse/gefräht Steam nozzle/milled	
5	529573	Dampfdüse/zylindrisch Steam nozzle/cylindric	

## Hähne/Taps



Pos. Item	B.-Nr. O.-No.	Beschreibung Description	Gerätetyp Device type
1	529500	Dampf-/Wasserhahn/kpl., 1mm Steigung Steam-/Water tap/cpl., 1mm gradient	2221-091783



Abb. Pict.	Bestell-Nr. Order-No.	Beschreibung Description	Gerätetyp Device type
1	528501	Cu-Dichtung Cu-gasket	
2	528502	Dichtung Gasket	
3	528503	Feder Spring	
4	528485	Dichtung Gasket	

## Rohre/Pipes

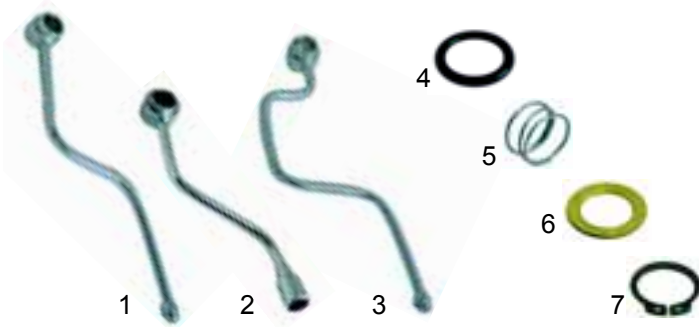


Abb. Pict.	Bestell-Nr. Order-No.	Beschreibung Description	
1	529506	Dampfrohr (No-Stop, Compact, Prestige, Express, Special) <b>Steampipe</b>	
1	529549	Dampfrohr (CNS) (No-Stop, Compact, Prestige, Express, Special) <b>Steampipe (stainless steel)</b>	
2	529568	Wasserrohr (No-Stop, Prestige, Express) <b>Waterpipe (No-Stop, Prestige, Express)</b>	
3	529505	Dampfrohr/rechts (Star, Tronic) <b>Steampipe/right (Star, Tronic)</b>	
3	529504	Dampfrohr/links (Star, Tronic) <b>Steampipe/left (Star, Tronic)</b>	
4	528504	O-Ring <b>O-ring</b>	
5	529701	Feder <b>Spring</b>	
6	529703	Scheibe <b>Washer</b>	
7	529702	Seegerring <b>Seeger circlip ring</b>	

## Hähne/Taps



Pos. Item	Bestell-Nr. Order-No.	Beschreibung Description
1	528505	O-Ring (Viton) <b>O-ring (viton)</b>
2	528506	Membrane <b>Membran</b>
3	528507	O-Ring <b>O-ring</b>
4	111030	Hebel <b>Lever</b>
5	111031	Knopf (Due) <b>Button (Due)</b>
6	111032	Knopf (E91) <b>Button (E91)</b>
7	528508	Cu-Dichtung <b>Cu-gasket</b>
8	528509	Feder <b>Spring</b>
9	528494	Dichtung <b>Gasket</b>
10	528396	O-Ring <b>O-ring</b>
11	528469	O-Ring <b>O-ring</b>

## Hähne/Taps

E91, Due  
E91, Due

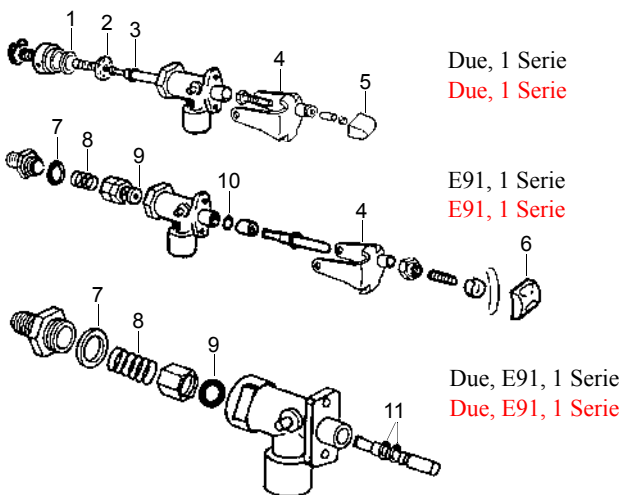


Pos. Item	Bestell-Nr. Order-No.	Beschreibung Description	Gerätetyp Device type	Vergl.-Nr. Comp.-No.
1	529502	Hahn/kpl., Neu <b>Tap/cpl., new</b>	Due, E91	2221-134646

## Rohre/Pipes



Pos. Item	Bestell-Nr. Order-No.	Beschreibung Description
1	529511	Dampfrohr <b>Steam pipe</b>
1	529569	Dampfrohr (CNS) <b>Steam pipe (stainless steel)</b>
2	529570	Wasserrohr <b>Waterpipe</b>
3	528510	Feder <b>Spring</b>
4	528511	Scheibe <b>Washer</b>
5	528512	O-Ring <b>O-ring</b>
6	528513	Buchse (Teflon) <b>Bush (teflon)</b>
7	528514	Dichtung (Teflon) <b>Gasket (teflon)</b>



Passend für/Suitable for Faema

## Hähne/Taps

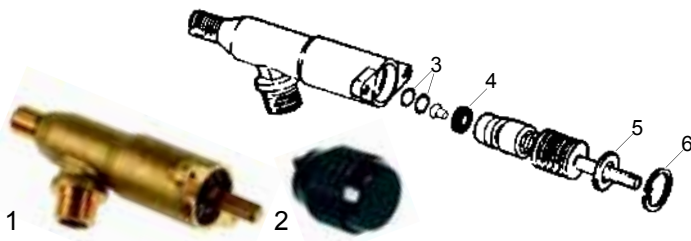


Abb. Pict.	Bestell-Nr. Order-No.	Beschreibung Description	Gerätetyp Device type	Vergl.-Nr. Comp.-No.
1	529503	Dampfhahn/kpl. Steam tap/cpl.	E 98	2221-135023
2	111033	Knebel Knob		



Abb. Pict.	Bestell-Nr. Order-No.	Beschreibung Description
3	528515	O-Ring O-ring
4	529546	Dichtung Gasket
5	528517	Scheibe Washer
6	528518	Seegerring Seeger circlip ring

## Rohre/Pipes



Abb. Pict.	Bestell-Nr. Order-No.	Beschreibung Description
1	529512	Dampfrohr Steam pipe
1	529575	Dampfrohr (CNS) Steam pipe (stainless steel)
2	529707	Überwurfmutter Union nut
3	528205	Dichtung Gasket
4	529708	Feder Spring
5	528204	Buchse Bush
6	529545	O-Ring O-ring

## Hähne/Taps

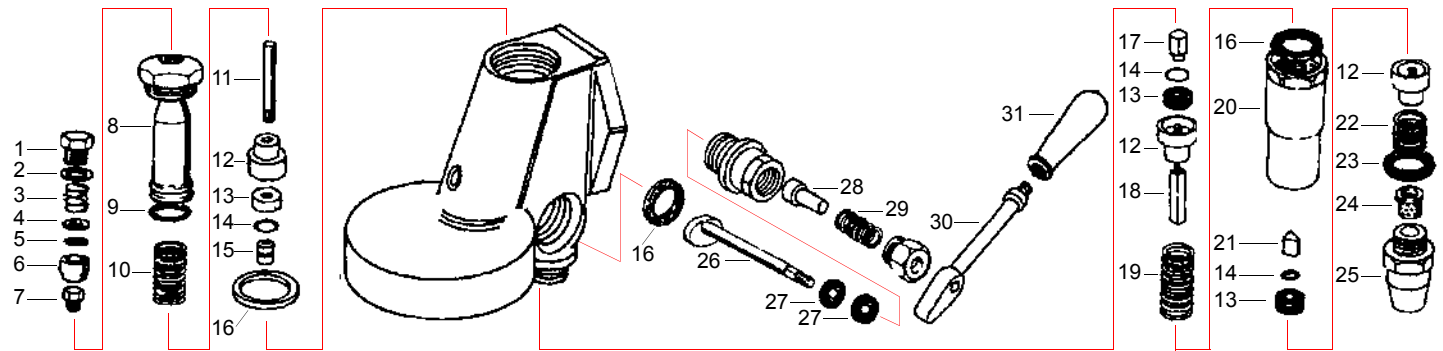


Abb. Pict.	Bestell-Nr. Order-No.	Beschreibung Description
1	111004	Knebel (Prestige) Knob (Prestige)
2	111006	Knebel (No-Stop), 4mm Steigung Knob (No-Stop), 4mm gradient
2	111007	Knebel (No-Stop), 1mm Steigung Knob (No-Stop), 1mm gradient
3	111008	Symbol/Wasser Symbol/water
4	111009	Symbol/Dampf Symbol/steam



Abb. Pict.	Bestell-Nr. Order-No.	Beschreibung Description
1	111001	Knebel (Compact, Express, Spezial) Knob (Compact, Express, Spezial)
2	111002	Knebel (Star, Tronic) Knob (Star, Tronic)
3	111034	Knebel/Wasser (E97) Knob/Water (E97)
4	111035	Knebel/Dampf (E97) Knob/Steam (E97)

## Gruppe E61/Group E61



1  
Passend für/Suitable for Faema



Abb. Pict.	Bestell-Nr. Order-No.	Beschreibung Description	Abb. Pict.	Bestell-Nr. Order-No.	Beschreibung Description	Abb. Pict.	Bestell-Nr. Order-No.	Beschreibung Description
1	528519	Endkappe Ending cap	12	528528	Buchse Bush	22	528475	Feder Spring
2	528520	Cu-Dichtung Cu-gasket	13	528494	Dichtung, 13 x 4 x 4mm Gasket, 13 x 4 x 4mm	23	528508	Cu-Dichtung Cu-gasket
3	528521	Feder Spring	14	528529	Scheibe Washer	24	528537	Strahlbrecher Perlator
4	528522	Scheibe Washer	15	528530	Hutmutter, 11mm Hat nut, 11mm	25	528538	Ablaufendstück Drain end part
5	528326	Filter Filter	16	528524	Dichtung (Teflon) Gasket (teflon)	26	528539	Welle, exzentrisch Shaft, eccentric
6	528321	Buchse Bush	17	528531	Hutmutter, 12mm Hat nut, 12mm	27	528495	Dichtung Gasket
7	528486	Düse Nozzle	18	528532	Schraube/lang, Infusion Srew/long, infusion	28	528541	Buchse Bush
8	528523	Trompete Trumpet	19	528533	Feder Spring	29	528542	Feder Spring
9	528525	O-Ring O-ring	20	528534	Kollektor Commutator	30	528543	Hebel Lever
10	528526	Feder Spring	21	528535	Hutmutter Hat nut	31	111056	Griff Handle
11	528527	Welle Shaft						

# Ersatzteile passend für/ Spare parts suitable for Faema

1  
Passend für/Suitable for Faema

Gruppe E64, E66, P4, P6/Group E64, E66, P4, P6

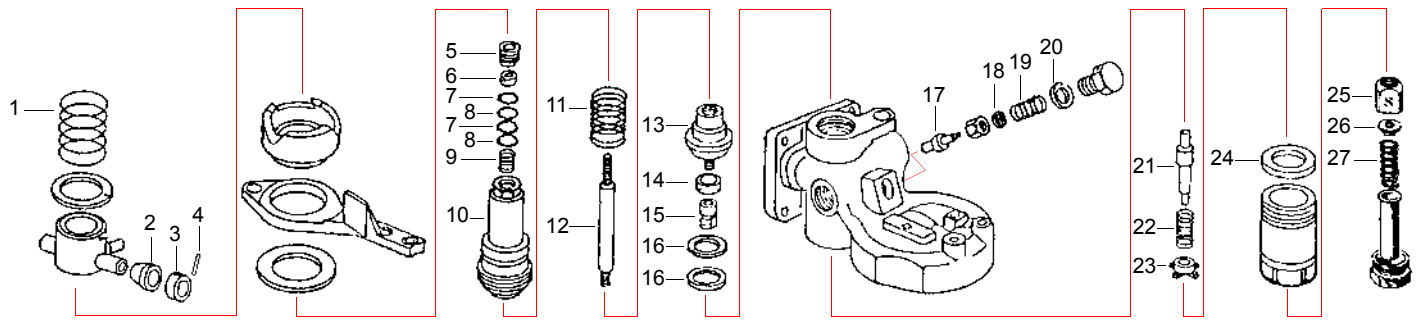


Abb. Pict.	Bestell-Nr. Order-No.	Beschreibung Description	Abb. Pict.	Bestell-Nr. Order-No.	Beschreibung Description	Abb. Pict.	Bestell-Nr. Order-No.	Beschreibung Description
1	528544	Feder Spring	10	528554	Kollektorglocke Commutator	19	528563	Feder Spring
2	528545	Buchse Bush	11	528555	Feder Spring	20	528564	Dichtung (Teflon) Gasket (teflon)
3	528546	Stellring Adjust ring	12	528556	Welle Shaft	21	528565	Welle Shaft
4	528547	Spannstift Pivot	13	528557	Buchse Bush	22	528566	Feder Spring
5	528548	Pressbuchse Press Bush	14	528558	Dichtung, 13 x 4 x 4mm Gasket, 13 x 4 x 4mm	23	528567	Ventilführung Valve guide
6	528549	Buchse Bush	15	528559	Schraube Screw	24	528568	Cu-Dichtung Cu-gasket
7	528550	Scheibe Washer	16	528560	Cu-Dichtung Cu-gasket	25	528569	Ventilkörper Solenoid square pin
8	528551	O-Ring O-ring	17	528561	Düse Nozzle	26	528570	Federführung Spring guide
9	528552	Feder Spring	18	528562	Filter Filter	27	528571	Feder Spring
10	528553	Kollektor/kpl. (Abb.5 - 16) Commutator/cpl. (pict. 5 - 16)						

# Ersatzteile passend für/ Spare parts suitable for Faema

Gruppe No-Stop, Compact/Group No-Stop, Compact

1  
Passend für/Suitable for Faema

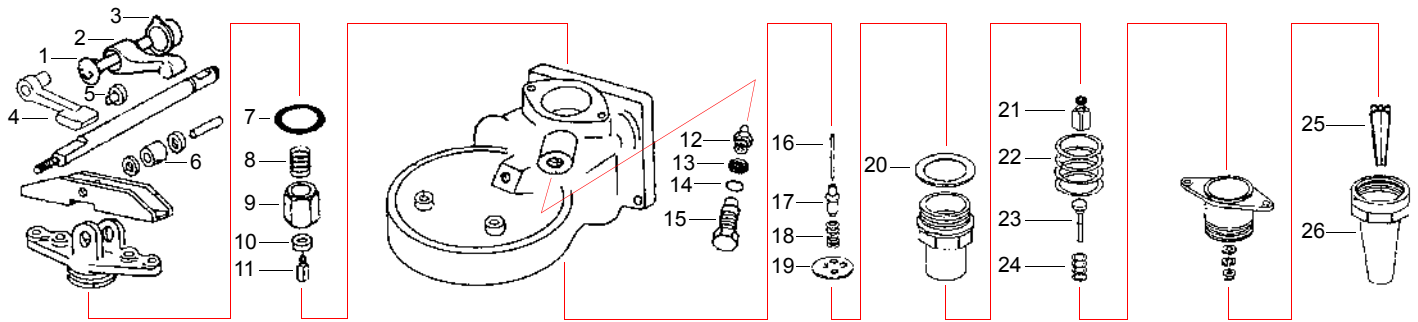


Abb. Pict.	Bestell-Nr. Order-No.	Beschreibung Description	Abb. Pict.	Bestell-Nr. Order-No.	Beschreibung Description	Abb. Pict.	Bestell-Nr. Order-No.	Beschreibung Description
1	528572	Deckel Cap	10	528558	Dichtung, 13 x 4 x 4mm Gasket, 13 x 4 x 4mm	19	528587	Federführung Spring guide
2	528573	Hebelgriff Lever handle	11	528581	Ventilführung Valve guide	20	528588	Dichtung (Teflon) Gasket (teflon)
3	528574	Hebel Lever	12	528582	Düse Nozzle	21	528589	Ventil Valve
4	528575	Hebel Lever	13	528562	Filter Filter	22	528590	Feder Spring
5	528576	Stopper Stopper	14	528583	O-Ring O-ring	23	528591	Druckwelle Thrust shaft
6	528577	Lager Bearing	15	528584	Schraube Screw	24	528592	Feder Spring
7	528578	O-Ring O-ring	16	528585	Welle Shaft	25	528593	Strahlbrecher Perlator
8	528579	Feder Spring	17	528586	Ventil, Infusion Valve, infusion	26	528594	Trichter Funnel
9	528580	Ventilkörper Solenoid square pin	18	528566	Feder Spring			

## Gruppe/Group

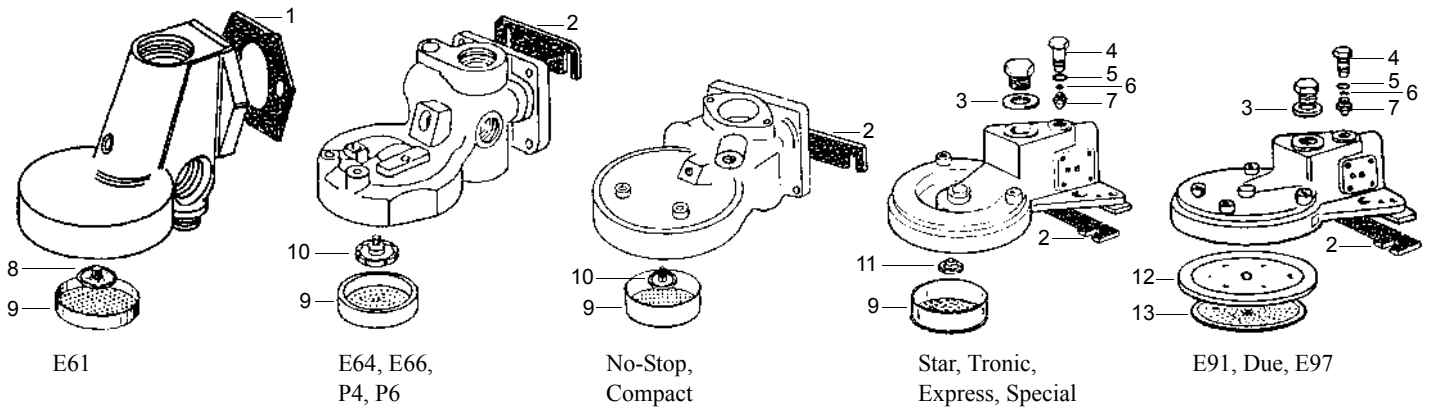


Abb. Pict.	Bestell-Nr. Order-No.	Beschreibung Description
1	528115	Dichtung Gasket
2	528113	Dichtung Gasket
3	528514	Dichtung Gasket
4	528584	Schraube Screw
5	528583	O-Ring O-ring
6	528562	Filter Filter
7	528582	Düse Nozzle

Abb. Pict.	Bestell-Nr. Order-No.	Beschreibung Description
8	529081	Verteiler Dispersion
9	529080	Dusche Shower
10	529082	Verteiler Dispersion
11	529201	Verteiler Dispersion
12	529202	Verteiler Dispersion
13	529084	Dusche Shower

## Siebträgerdichtungen, Filter/Filter holder gaskets, filter



Abb. Pict.	Bestell-Nr. Order-No.	Beschreibung Description
1	528033	Distanzeinlage, 71 x 68mm Shim gasket, 71 x 68mm
2	528030	Siebträgerdichtung, 73 x 57 x 8mm Filter holder gasket, 73 x 57 x 8mm
2	528031	Siebträgerdichtung, 73 x 57 x 8,5mm Filter holder gasket, 73 x 57 x 8,5mm
2	528032	Siebträgerdichtung, 73 x 57 x 9mm Filter holder gasket, 73 x 57 x 9mm
2	528070	Siebträger, 73 x 57 x 8mm, 3 Kerben Filter holder, 73 x 57 x 8mm, 3 notches
3	529012	Sieb, 1 Tasse (6g) Filter, 1 cup (6g)

Abb. Pict.	Bestell-Nr. Order-No.	Beschreibung Description
3	529011	Sieb, 1 Tasse (7g) Filter, 1 cup (7g)
4	529014	Sieb, 2 Tassen (12g) Filter, 2 cups (12g)
4	529013	Sieb, 2 Tassen (14g) Filter, 2 cups (14g)
5	529023	Blindfilter Blindfilter
6	529079	Filterfeder Filter spring



## Siebträger/Filter holder



Abb. Pict.	Bestell-Nr. Order-No.	Beschreibung Description
1	529040	Siebträger Filter holder
2	529048	Verlängerung Extension
3	529046	Griff, E61 Handle, E61
4	529047	Griff, E64 Handle, E64

Abb. Pict.	Bestell-Nr. Order-No.	Beschreibung Description
5	529066	Scheibe Washer
6	529067	Schraube Screw
7	529113	Deckel Cap



Abb. Pict.	Bestell-Nr. Order-No.	Beschreibung Description
1	529041	Siebträger, M12 Filter holder, M12
2	529045	Griff/schwarz, M12 Handle/black, M12

Abb. Pict.	Bestell-Nr. Order-No.	Beschreibung Description
3	529044	Griff/braun, M12 Handle/brown, M12

## Ausläufe/Spouts



Abb. Pict.	Bestell-Nr. Order-No.	Beschreibung Description
1	529002	3/8", 1 Weg, gerade/kurz 3/8", 1 way, straight/short
2	529001	3/8", 1 Weg, gerade/lang 3/8", 1 way, straight/long
3	529005	3/8", 1 Weg, gebogen/kurz 3/8", 1 way, curved/short
4	529003	3/8", 1 Weg, gebogen/lang 3/8", 1 way, curved/long

Abb. Pict.	Bestell-Nr. Order-No.	Beschreibung Description
5	529004	3/8", 1 Weg, gebogen/geschlossen 3/8", 1 way, curved/closed
6	529008	3/8", 2 Wege, Abstand 44mm 3/8", 2 ways, distance 44mm
7	529007	3/8", 2 Wege, Abstand 55mm/kurz 3/8", 2 ways, distance 55mm/short
8	529006	3/8", 2 Wege, Abstand 55mm/lang 3/8", 2 ways, distance 55mm/long