

1 Passend für/Suitable for Gaggia

## Magnetventile/Solenoid valves

Scem/Parker



Abb. Pict.	Bestell-Nr. Order-No.	Beschreibung Description
1	370055	kpl., 3 Wege, (Innenkonus), 230VAC cpl., 3 ways (inner cone), 230VAC
1	370056	kpl., 3 Wege, (Innenkonus), 24VAC cpl., 3 ways, (inner cone), 24VAC
2	370063	Ventilkörper, (Innenkonus) Solenoid square pin, (inner cone)
3	370059	kpl., 3 Wege, 230VAC cpl., 3 ways, 230VAC
4	371029	Magnetspule, 230VAC Magnetic coil, 230VAC
4	371036	Magnetspule, 24VAC Magnetic coil, 24VAC

M + M



Abb. Pict.	Bestell-Nr. Order-No.	Beschreibung Description
1	370207	kpl., 3 Wege, 230VAC cpl., 3 ways, 230VAC
2	370213	kpl., 3 Wege, 230VAC cpl., 3 ways, 230VAC
3	371024	Magnetspule, 230VAC Magnetic coil, 230VAC

## Zubehör/Accessories



Abb. Pict.	Bestell-Nr. Order-No.	Beschreibung Description
1	371090	Stecker/groß Plug/big
2	371091	Stecker/klein Plug/small
3	371095	O-Ring (Viton) O-ring (viton)
4	371100	O-Ring (Silikon) O-ring (silicon)
5	528673	Montageplatte Mounting plate

## Pressostate, Relais/Pressure switches, relays



Abb. Pict.	Bestell-Nr. Order-No.	Beschreibung Description
1	541021	Pressostat, 3-polig Pressure switches, 3 poles
2	541042	Pressostat, 1-polig Pressure switches, 1 pole
3	380138	Relais, 2 Wechsler, 24VAC Relay, DPDT, 24VAC
3	380139	Relais, 2 Wechsler, 230V Relay, DPDT, 230V

## Thermostate/Thermostats

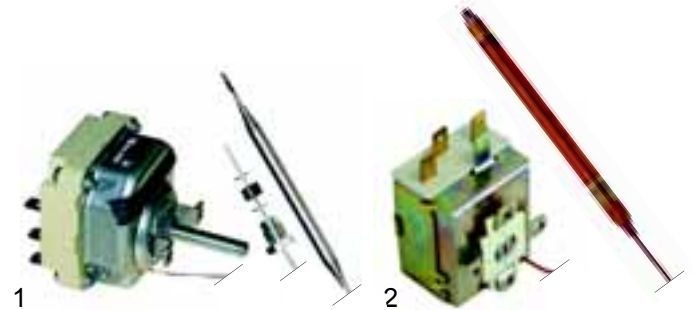


Abb. Pict.	Bestell-Nr. Order-No.	Beschreibung Description
1	375410	Thermostat
2	390339	Thermostat, 105°C

## Thermostate/Thermostats



Abb. Pict.	Bestell-Nr. Order-No.	Beschreibung Description
1	390322	Anlegethermostat, 100°C Stoke thermostat, 100°C
1	390152	Anlegethermostat, 107°C Stoke thermostat, 107°C
1	390326	Anlegethermostat, 130°C Stoke thermostat, 130°C
1	390323	Anlegethermostat, 145°C Stoke thermostat, 145°C
1	390327	Anlegethermostat, 150°C Stoke thermostat, 150°C
1	390328	Anlegethermostat, 152°C Stoke thermostat, 152°C
2	390366	Anlegethermostat, 128°C Stoke thermostat, 128°C
3	390372	Anlege-Sicherheitsthermostat, 165°C Safety stoke thermostat, 165°C

## Schalter/Switches



Abb. Pict.	Bestell-Nr. Order-No.	Beschreibung Description
1	301025	Gruppenschalter, 28 x 24mm Main switch, 28 x 24mm
2	301060	Gruppenschalter, 30 x 22mm Main switch, 30 x 22mm
3	345037	Gruppenschalter, Ø25mm Main switch, Ø25mm



Abb. Pict.	Bestell-Nr. Order-No.	Beschreibung Description
1	346060	Schalter (Kaffee-Symbol) Switch (coffee-symbol)
2	346050	Taster (Wasser-Symbol) Push button (water-symbol)
3	346051	Taster (Dampf-Symbol) Push button (steam-symbol)

## Schalter/Switches



Abb. Pict.	Bestell-Nr. Order-No.	Beschreibung Description
1	345266	Mikroschalter Micro switch
2	345041	Mikroschalter Micro switch
3	345255	Mikroschalter Micro switch

## Lampen/lamps



Abb. Pict.	Bestell-Nr. Order-No.	Beschreibung Description
1	359218	Lampe, 230V, 13 x 16mm Lamp, 230V, 13 x 16mm
2	359199	Lampe Lamp

## Niveauregler/Level controllers



Abb. Pict.	Bestell-Nr. Order-No.	Beschreibung Description
1	400017	Niveauregler (RL30/1E-2C/11), 230V Level controller (RL30/1E-2C/11), 230V
2	400230	Niveauregler (RL40/1E/11), 230V Level controller (RL40/1E/11), 230V
2	400231	Niveauregler (RL40/1E/11), 24VAC Level controller (RL40/1E/11), 24VAC
3	400086	Niveauregler (RL60/1DT/11), 230V Level controller (RL60/1DT/11), 230V
3	400087	Niveauregler (RL60/1DT/11), 24VAC Level controller (RL60/1DT/11), 24VAC

## Niveauregler/Level controllers



Abb. Pict.	Bestell-Nr. Order-No.	Beschreibung Description
1	400400	Niveauregler (RL40/1E/8), 230V Level controller (RL40/1E/8), 230V
1	400474	Niveauregler (RL40/Gr/8), 24VAC Level controller (RL40/Gr/8), 24VAC
2	380136	Sockel, 11-polig Base, 11 poles
3	380137	Sockel, 8-polig Base, 8 poles
4	400020	Niveausonde, 150mm Level probe, 150mm

## Flow-Meter/Electronic, flow-meter



Abb. Pict.	Bestell-Nr. Order-No.	Beschreibung Description
1	400004	Flowmeter, 1/4" Flowmeter, 1/4"
2	400256	Stecker Plugs
3	400257	Zählrad Flowmeter reel
4	400258	Gehäusedichtung Case gasket

## Pumpen/Pumps

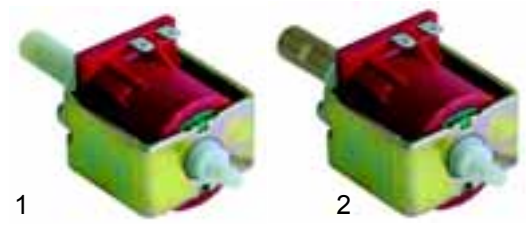


Abb. Pict.	Bestell-Nr. Order-No.	Beschreibung Description
1	500173	Pumpe (ULKA EP5), 48W, 230V Pump (ULKA EP5), 48W, 230V
1	500178	Pumpe (ULKA EP5), 48W/24VAC Pump (ULKA EP5), 48W/24VAC
2	500124	Pumpe (ULKA EX5), 48W, 230V Pump (ULKA EX5), 48W, 230V
2	500179	Pumpe (ULKA EX5), 48W/24VAC Pump (ULKA EX5), 48W/24VAC

## Pumpen/Pumps



Abb. Pict.	Bestell-Nr. Order-No.	Beschreibung Description
1	500218	Pumpe (Eaton), 60W, 230V Pumpe (Eaton), 60W, 230V
2	500123	Pumpe (Fluid-o-tech), 70W, 230V Pumpe (Fluid-o-tech), 70W, 230V
2	500232	Pumpe (Fluid-o-tech), 48W/24VAC Pumpe (Fluid-o-tech), 48W/24VAC

## Heizkörper/Heaters



Abb. Pict.	Bestell-Nr. Order-No.	Beschreibung Description
1	417017	Heizkörper, 1 Gruppe, 750W, 230V Heater, 1 group, 750W, 230V
2	417018	Heizkörper, 2 Gruppen, 1250W, 230V Heater, 2 groups, 1250W, 230V
3	417118	Heizkörper, 3 Gruppen, 1750W, 230V Heater, 3 groups, 1750W, 230V
4	528008	Dichtung Gasket



Abb. Pict.	Bestell-Nr. Order-No.	Beschreibung Description
1	417019	Heizkörper, 1 Gruppe, 2000W, 230V Heater, 1 group, 2000W, 230V
2	417020	Heizkörper, 2 Gruppen, 4000W, 230V Heater, 2 groups, 4000W, 230V
3	417119	Heizkörper, 3 Gruppen, 5000W, 230V Heater, 3 groups, 5000W, 230V
4	528009	Dichtung (Klingerit) Gasket (klingerit)
5	528007	Dichtung (Teflon) Gasket (teflon)



## Heizkörper/Heaters



Abb. Pict.	Bestell-Nr. Order-No.	Beschreibung Description
1	417021	Heizkörper (ASSO), 1500W, 230V Heater (ASSO), 1500W, 230V
2	417022	Heizkörper (ASSO), 2000W, 230V Heater (ASSO), 2000W, 230V
3	528009	Dichtung (Klingerit) Gasket (klingerit)
4	528007	Dichtung (Teflon) Gasket (teflon)

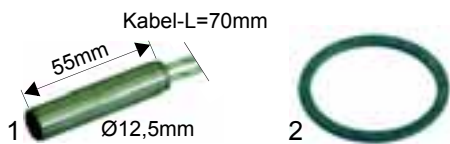


Abb. Pict.	Bestell-Nr. Order-No.	Beschreibung Description
1	400338	Heizpatrone, 80W, 240V Heating cartridge, 80W, 240V
2	528674	Dichtung/Wärmetauscher (ELE) Gasket/Warmth changer (ELE)

## Kesseldichtungen/Pot gaskets



Abb. Pict.	Bestell-Nr. Order-No.	Beschreibung Description
1	528128	Kesseldichtung (Klingerit), 10 Löcher Pot gasket (klingerit), 10 holes
2	528129	Kesseldichtung (Teflon), 10 Löcher Pot gasket (teflon), 10 holes
3	528677	Kesseldichtung (TELL) Pot gasket (TELL)

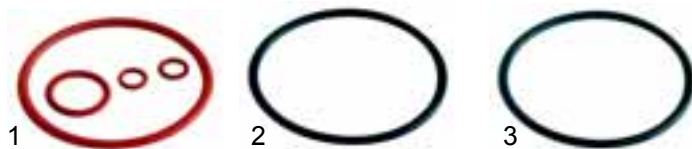


Abb. Pict.	Bestell-Nr. Order-No.	Beschreibung Description
1	528678	Kesseldichtung (Baby) Pot gasket (Baby)
2	528679	Kesseldichtung (Grand Gaggia), 70 x 63mm Pot gasket (Grand Gaggia), 70 x 63mm
3	528680	Kesseldichtung (Baby) Pot gasket (Baby)

## Manometer/Manometer

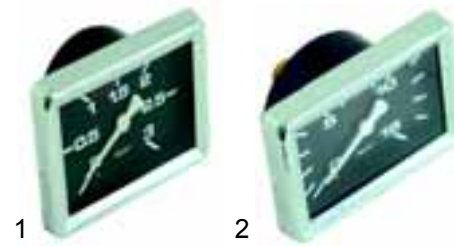


Abb. Pict.	Bestell-Nr. Order-No.	Beschreibung Description
1	541283	Manometer (TELL), 0 - 3bar Manometer (TELL), 0 - 3bar
2	541284	Manometer (TELL), 0 - 15bar Manometer (TELL), 0 - 15bar



Abb. Pict.	Bestell-Nr. Order-No.	Beschreibung Description
1	541217	Manometer (ELLE), 0 - 3bar Manometer (ELLE), 0 - 3bar
2	541216	Manometer (ELLE), 0 - 15bar Manometer (ELLE), 0 - 15bar



Abb. Pict.	Bestell-Nr. Order-No.	Beschreibung Description
1	541214	Manometer, 0 - 3bar Manometer, 0 - 3bar
2	541215	Manometer, 0 - 15bar Manometer, 0 - 15bar



Abb. Pict.	Bestell-Nr. Order-No.	Beschreibung Description
1	541228	Manometer (TE 93), 0 - 15bar Manometer (TE 93), 0 - 15bar
2	541229	Manometer (TE 93), 0 - 3bar Manometer (TE 93), 0 - 3bar

1 Passend für/Suitable for Gaggia

## Ventile/Valves

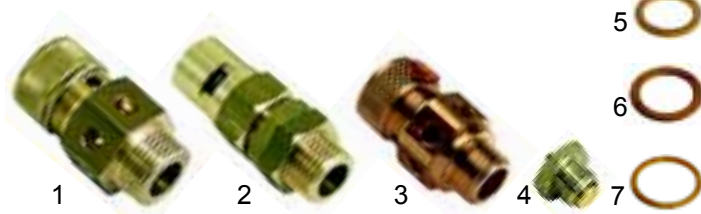


Abb. Pict.	Bestell-Nr. Order-No.	Beschreibung Description
1	529308	Sicherheitsventil, 1,8bar, M19 Safety valve, 1,8bar, M19
2	529312	Sicherheitsventil, 1,8bar, 3/8" Safety valve, 1,8bar, 3/8"
3	529316	Sicherheitsventil (verplombt), 1,8bar, 3/8" Safety valve (sealed), 1,8bar, 3/8"
4	529303	Entlüftungsventil, 1/4" Empty valve, 1/4"
5	529361	Cu-Dichtung, 1/4" Cu-gasket, 1/4"
6	529349	Cu-Dichtung, 3/8" Cu-gasket, 3/8"
7	529348	Cu-Dichtung, M19 Cu-gasket, M19

## Wasserstandsglas/Level glass

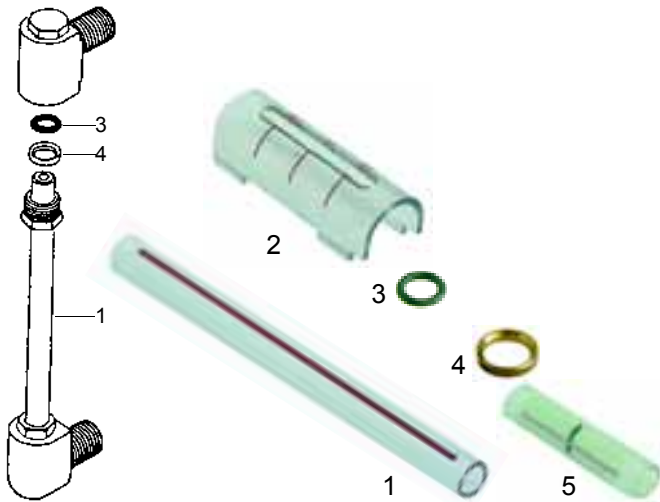
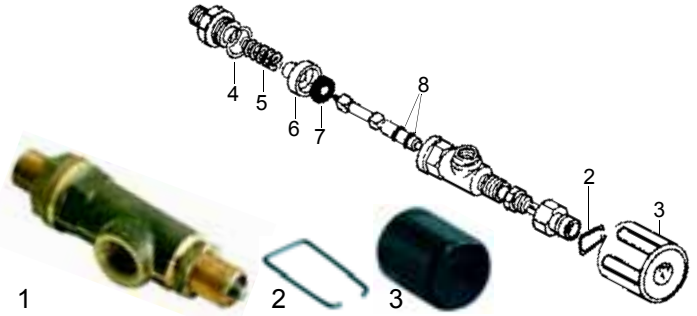


Abb. Pict.	Bestell-Nr. Order-No.	Beschreibung Description
1	529386	Wasserstandsglas, 11 x 140mm Level glass, 11 x 140mm
1	528681	Wasserstandsglas, 11 x 160mm, (TDS) Level glass, 11 x 160mm, (TDS)
2	529389	Abdeckung Cover
3	528200	O-Ring O-ring
4	528682	Druckscheibe Press washer
5	529388	Wasserstandsglas, 11 x 55mm, (TE/TD93) Level glass, 11 x 55mm (TE/TD93)

## Hähne/Tabs

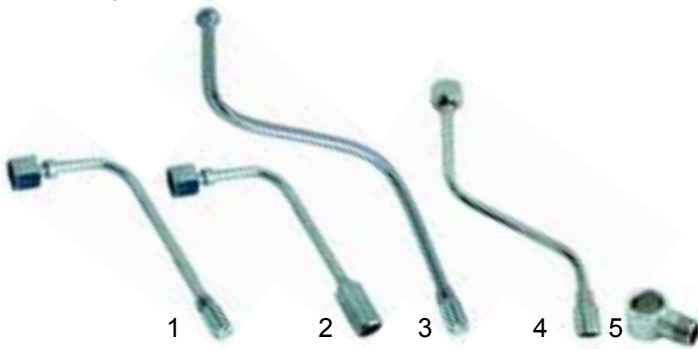


Pos. Item	Bestell-Nr. Order-No.	Beschreibung Description
1	528683	Dichtung Gasket
2	528684	Feder Spring
3	528685	Dichtungsträger Gasketholder
4	528686	Dichtung Gasket
5	528687	O-Ring O-ring
6	528688	Knebel Knob
7	528689	Seegerring Seeger circlip ring
8	528690	Knebelscheibe Knob washer
9	528691	Knebelabdeckung Knob cover



Pos. Item	Bestell-Nr. Order-No.	Beschreibung Description
1	529580	Hahn/kpl. Tab/cpl.
2	111066	Feder Spring
3	111065	Knebel Knob
4	528692	O-Ring O-ring
5	528684	Feder Spring
6	528694	Dichtungsträger Gasketholder
7	528695	Dichtung Gasket
8	528687	O-Ring O-ring

## Rohre/Pipes



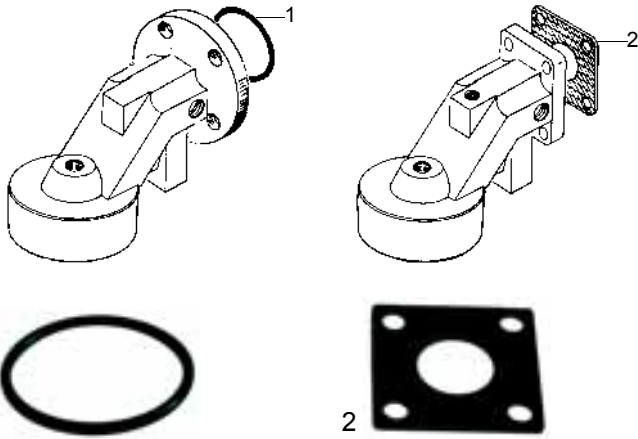
Pos. Item	Bestell-Nr. Order-No.	Beschreibung Description
1	529609	Dampfrohr (Tell) Steampipe (Tell)
2	529625	Wasserrohr (Tell) Waterpipe (Tell)
3	529581	Dampfrohr (ELE) Steampipe (ELE)
3	529677	Dampfrohr (CNS) Steampipe (stainless steel)
4	529583	Wasserrohr (ELE) Waterpipe (ELE)
5	529647	Gelenk (ELE) Link (ELE)



Pos. Item	Bestell-Nr. Order-No.	Beschreibung Description
1	529582	Dampfrohr (ELE) Steampipe (ELE)
2	529584	Wasserrohr (ELE) Waterpipe (ELE)
2	529676	Wasserrohr (CNS) Waterpipe (stainless steel)
3	528206	O-Ring O-ring
4	529709	Feder Spring
5	529710	Augenschraube Banjo stem single
6	528201	Dichtung (Teflon) Gasket (teflon)
7	529510	Wasserstrahlbrecher Perlator
8	529513	Dampfdüse Steam nozzle

1  
Passend für/Suitable for Gaggia

## Gruppe/Group



Pos. Item	Bestell-Nr. Order-No.	Beschreibung Description
1	528315	Gruppendichtung (Tell) Group gasket (Tell)
2	528132	Gruppendichtung (ELLE) Group gasket (ELLE)

## Wasserverteiler/Water dispersions



Pos. Item	Bestell-Nr. Order-No.	Beschreibung Description
1	529166	Wasserverteiler Water dispersion
2	529084	Dusche Shower
3	529079	Siebträgerfeder Filter holder spring

## Siebträgerdichtungen/Filter holder gaskets



Pos. Item	Bestell-Nr. Order-No.	Beschreibung Description
1	528050	Distanzeinlage, 73 x 59mm Shim gasket 73 x 59mm
2	528063	Siebträgerdichtung, 72 x 56 x 8,5mm Filter holder gasket, 72 x 56 x 8,5mm
2	528042	Siebträgerdichtung, 72 x 56 x 8mm Filter holder gasket, 72 x 56 x 8mm

## Filter/Filter



Pos. Item	Bestell-Nr. Order-No.	Beschreibung Description
1	529021	Filter, 1 Tasse (7g) Filter, 1 cup (7g)
2	529022	Filter, 2 Tassen (14g) Filter, 2 cups (14g)
3	529023	Blindfilter Blindfilter

## Siebträger/Filter holder



Pos. Item	Bestell-Nr. Order-No.	Beschreibung Description
1	529054	Siebträger/alt Filter holder/old
2	529056	Siebträgergriff Filter holder handle
3	528693	Schraube, M8 x 20mm Screw, M8 x 20mm



Pos. Item	Bestell-Nr. Order-No.	Beschreibung Description
1	529055	Siebträger, M10 Filter holder, M10
2	529053	Siebträgergriff Filter holder handle

## Ausläufe/Spouts



Abb. Pict.	Bestell-Nr. Order-No.	Beschreibung Description
1	529001	Auslauf 3/8", 1 Weg lang Spout 3/8", one way long
2	529003	Auslauf 3/8", 1 Weg gebogen Spout 3/8", one way curved
3	529007	Auslauf 3/8", 2 Wege kurz Spout 3/8", two way short