

Passend für/Suitable for Mairali

## 1 Magnetventile/Solenoid valves

Scem/Parker



| Abb. Pict. | Bestell-Nr. Order-No. | Beschreibung Description  |
|------------|-----------------------|---|
| 1          | 370057                | kpl., 3 Wege, 230VAC<br>cpl., 3 ways, 230VAC                        |
| 2          | 370060                | kpl., 3 Wege, mit Kabel, 230VAC<br>cpl., 3 ways, with cable, 230VAC |
| 3          | 370062                | Ventilkörper<br>Solenoid square pin                                 |



| Abb. Pict. | B.-Nr. O.-No. | Beschreibung Description  |
|------------|---------------|---|
| 1          | 370059        | kpl., 3 Wege, 1/4", 230VAC<br>cpl., 3 ways, 1/4", 230VAC            |
| 2          | 370206        | kpl., 2 Wege, 230VAC<br>cpl., 2 ways, 230VAC                        |
| 3          | 371029        | Magnetspule, 230VAC<br>Magnetic coil, 230VAC                        |
| 4          | 371033        | Magnetspule, mit Kabel, 230VAC<br>Magnetic coil, with cable, 230VAC |



| Abb. Pict. | Bestell-Nr. Order-No. | Beschreibung Description             |
|------------|-----------------------|--------------------------------------|
| 1          | 371090                | Stecker<br>Plug                      |
| 2          | 371095                | O-Ring (Viton)<br>O-ring (viton)     |
| 3          | 371100                | O-Ring (Silikon)<br>O-ring (Silicon) |

## Pressostate, Thermostate/Pressure switches, thermostats



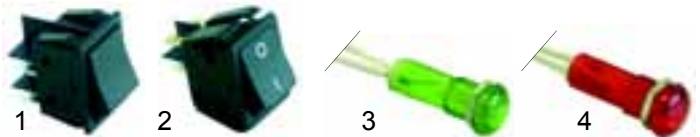
| Abb. Pict. | Bestell-Nr. Order-No. | Beschreibung Description                                     |
|------------|-----------------------|--|
| 1          | 541021                | Pressostat, 3-polig<br>Pressure switch, 3 poles              |
| 2          | 390166                | Sicherheitsthermostat, 3-polig<br>Safety thermostat, 3 poles |

## Schalter/Switches



| Abb. Pict. | Bestell-Nr. Order-No. | Beschreibung Description                                  |
|------------|-----------------------|---|
| 1          | 345157                | Hauptschalter<br>Main switch                              |
| 2          | 301002                | Gruppenschalter<br>Group switch                           |
| 3          | 301015                | Gruppenschalter, 2-poliger Wechsler<br>Group switch, DPDT |

## Schalter, Lampen/Switches, lamps



| Abb. Pict. | Bestell-Nr. Order-No. | Beschreibung Description                       |
|------------|-----------------------|--|
| 1          | 346066                | Schalter<br>Switch                             |
| 2          | 346068                | Taster<br>Push button                          |
| 3          | 359400                | Lampe/grün, 8mm, 230V<br>Lamp/green, 8mm, 230V |
| 4          | 359401                | Lampe/rot, 8mm, 230V<br>Lamp/red, 8mm, 230V    |

## Niveauregler/Level controller



| Abb. Pict. | Bestell-Nr. Order-No. | Beschreibung Description   |
|------------|-----------------------|--|
| 1          | 400019                | Niveauregler, RL30/1E-2C/F, 230V<br>Level controller, RL30/1E-2C/F, 230V |
| 2          | 400237                | Niveauregler, RL30/1E-2C/8, 230V<br>Level controller, RL30/1E-2C/8, 230V |
| 3          | 400020                | Niveausonde, 150mm<br>Level probe, 150mm                                 |

## Relais/Relays



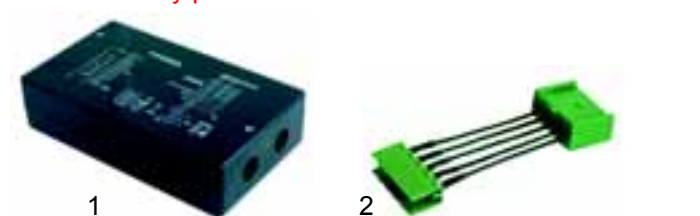
| Abb. Pict. | Bestell-Nr. Order-No. | Beschreibung Description          |
|------------|-----------------------|-----------------------------------|
| 1          | 380151                | Zeitrelais<br>Time relay          |
| 2          | 380134                | Relais, 2 Wechsler<br>Relay, DPDT |
| 3          | 380137                | Socket, 8-polig<br>Base, 8 poles  |

## Flowmeter/Flow-meters

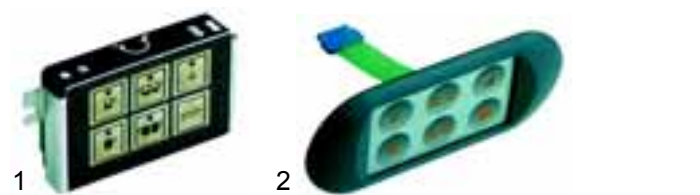


| Abb. Pict. | Bestell-Nr. Order-No. | Beschreibung Description           |
|------------|-----------------------|------------------------------------|
| 1          | 400222                | Flowmeter, 1/4"<br>Flowmeter, 1/4" |
| 2          | 400004                | Flowmeter, 1/4"<br>Flowmeter, 1/4" |
| 3          | 400256                | Stecker<br>Plug                    |
| 4          | 400257                | Zählrad<br>Flowmeter reel          |
| 5          | 400258                | Gehäusedichtung<br>Case gasket     |

## Tastaturen/Key push buttons



| Abb. Pict. | Bestell-Nr. Order-No. | Beschreibung Description                |
|------------|-----------------------|---|
| 1          | 400379                | Tastatur<br>Key push button             |
| 2          | 400320                | Tastatur-Kabel<br>Key push button cable |



| Abb. Pict. | Bestell-Nr. Order-No. | Beschreibung Description              |
|------------|-----------------------|---------------------------------------|
| 1          | 400450                | Tastatur/kpl.<br>Key push button/cpl. |
| 2          | 400451                | Tastatur<br>Key push button           |

## Elektronik/Electronics



| Abb. Pict. | Bestell-Nr. Order-No. | Beschreibung Description                                      |
|------------|-----------------------|---|
| 1          | 400316                | Elektronik-Box, 2 Gruppen<br>Electronic box, 2 groups         |
| 2          | 400443                | Elektronikplatine<br>Electronic board                         |
| 3          | 400322                | Elektronik-Box, 2 - 3 Gruppen<br>Electronic box, 2 - 3 groups |

## 1 Heizkörper/Heaters



| Pos.<br>Item | Bestell-Nr.<br>Order-No. | Beschreibung<br>Description  |
|--------------|--------------------------|--|
| 1            | 417003                   | Heizkörper, 1-gruppig, 1800W, 230V<br>Heater, 1 group, 1800W, 230V |

Mit Tauchhülse  
With immersion socket



| Abb.<br>Pict. | Bestell-Nr.<br>Order-No. | Beschreibung<br>Description   |
|---------------|--------------------------|---|
| 1             | 417116                   | Heizkörper, 1-gruppig, 1800W, 230V<br>Heater, 1 group, 1800W, 230V  |
| 2             | 417001                   | Heizkörper, 2-gruppig, 2600W, 230V<br>Heater, 2 groups, 2600W, 230V |
| 3             | 417109                   | Heizkörper, 3-gruppig, 3700W, 230V<br>Heater, 3 groups, 3700W, 230V |

## Heizkörperdichtungen/Heater gaskets



| Abb.<br>Pict. | Bestell-Nr.<br>Order-No. | Beschreibung<br>Description                |
|---------------|--------------------------|--|
| 1             | 528488                   | Dichtung (Klingerit)<br>Gasket (klingerit) |
| 2             | 528002                   | Dichtung (Teflon)<br>Gasket (teflon)       |

## Manometer/Manometers



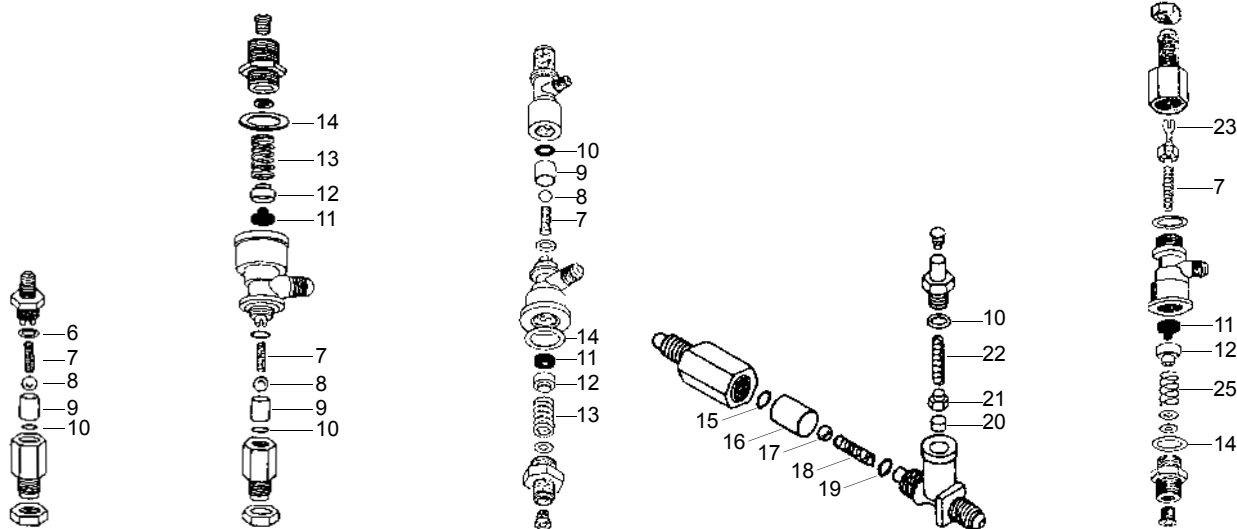
| Abb.<br>Pict. | Bestell-Nr.<br>Order-No. | Beschreibung<br>Description                       |
|---------------|--------------------------|---|
| 1             | 541247                   | Manometer, 0 - 2bar<br>Manometer, 0 - 2bar        |
| 2             | 541208                   | Manometer, Doppelskala<br>Manometer, double scale |

## Ventile/Valves



| Abb.<br>Pict. | Bestell-Nr.<br>Order-No. | Beschreibung<br>Description   |
|---------------|--------------------------|---|
| 1             | 529312                   | Sicherheitsventil, 1,8bar, 3/8"<br>Safety valve, 1,8bar, 3/8"                 |
| 2             | 529316                   | Sicherheitsventil/plombiert, 1,8bar, 3/8"<br>Safety valv/sealed, 1,8bar, 3/8" |
| 3             | 529303                   | Entlüftungsventil (CNS), 1/4"<br>Empty valve (stainless steel), 1/4"          |
| 4             | 529361                   | Cu-Dichtung, 1/4"<br>Cu-gasket, 1/4"  |
| 5             | 529349                   | Cu-Dichtung, 3/8"<br>Cu-gasket, 3/8"  |

## Ventile/Valves



| Abb. Pict. | Bestell-Nr. Order-No. | Beschreibung Description   |
|------------|-----------------------|--|
| 1          | 529322                | Rückschlagventil<br>Retention valve                                |
| 2          | 529319                | Expansions- und Rückschlagventil<br>Expansion- and retention valve |
| 3          | 529323                | Expansions- und Rückschlagventil<br>Expansion- and retention valve |

| Abb. Pict. | Bestell-Nr. Order-No. | Beschreibung Description   |
|------------|-----------------------|--|
| 4          | 529321                | Expansions- und Rückschlagventil<br>Expansion- and retention valve |
| 5          | 529320                | Expansions- und Rückschlagventil<br>Expansion- and retention valve |

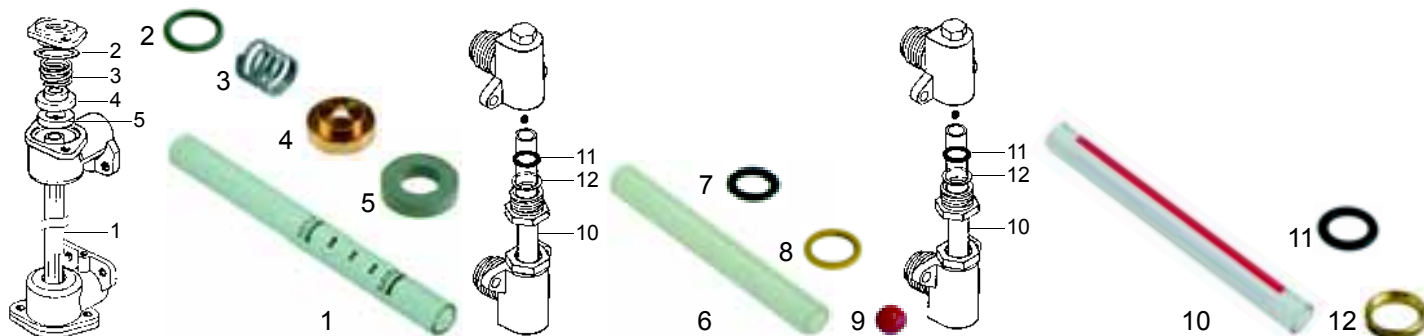


| Abb. Pict. | Bestell-Nr. Order-No. | Beschreibung Description              |
|------------|-----------------------|---------------------------------------|
| 6          | 529368                | O-Ring<br>O-ring                      |
| 7          | 528392                | Feder<br>Spring                       |
| 8          | 528419                | Kugel (CNS)<br>Ball (stainless steel) |
| 9          | 528768                | Buchse<br>Bush                        |
| 10         | 529476                | O-Ring<br>O-ring                      |
| 11         | 528425                | Dichtung<br>Gasket                    |
| 12         | 528769                | Buchse<br>Bush                        |

| Abb. Pict. | Bestell-Nr. Order-No. | Beschreibung Description              |
|------------|-----------------------|---------------------------------------|
| 13         | 528424                | Feder<br>Spring                       |
| 14         | 528420                | Cu-Dichtung<br>Cu-gasket              |
| 15         | 528478                | O-Ring (Viton)<br>O-ring (viton)      |
| 16         | 528770                | Buchse<br>Bush                        |
| 17         | 528422                | Kugel (CNS)<br>Ball (stainless steel) |
| 18         | 528421                | Feder<br>Spring                       |
| 19         | 528771                | O-Ring<br>O-ring                      |

| Abb. Pict. | Bestell-Nr. Order-No. | Beschreibung Description |
|------------|-----------------------|--------------------------|
| 20         | 528772                | Dichtung<br>Gasket       |
| 21         | 528773                | Buchse<br>Bush           |
| 22         | 528774                | Feder<br>Spring          |
| 23         | 528775                | Ventil<br>Valve          |
| 24         | 528776                | Dichtung<br>Gasket       |
| 25         | 528777                | Feder<br>Spring          |

## Wasserstandsglas/Level glass

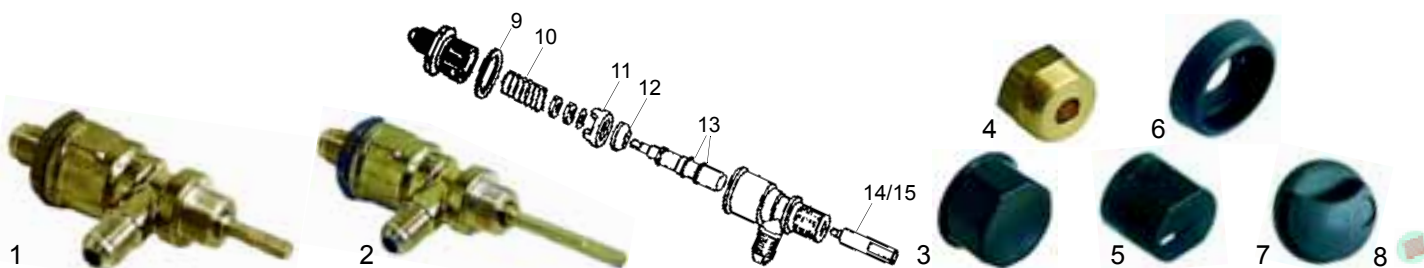


| Abb. Pict. | Bestell-Nr. Order-No. | Beschreibung Description        |
|------------|-----------------------|---------------------------------|
| 1          | 529351                | Wasserstandsglas<br>Level glass |
| 2          | 529357                | Dichtung<br>Gasket              |
| 3          | 529356                | Feder<br>Spring                 |
| 4          | 528778                | Buchse<br>Bush                  |

| Abb. Pict. | Bestell-Nr. Order-No. | Beschreibung Description        |
|------------|-----------------------|---------------------------------|
| 5          | 529354                | Dichtung<br>Gasket              |
| 6          | 529367                | Wasserstandsglas<br>Level glass |
| 7          | 529368                | O-Ring<br>O-ring                |
| 8          | 529369                | Scheibe<br>Washer               |

| Abb. Pict. | Bestell-Nr. Order-No. | Beschreibung Description        |
|------------|-----------------------|---------------------------------|
| 9          | 529355                | Plastik-Kugel<br>Plastic ball   |
| 10         | 529387                | Wasserstandsglas<br>Level glass |
| 11         | 528583                | O-Ring<br>O-ring                |
| 12         | 528682                | Scheibe<br>Washer               |

## Wasserfüllventil/Water intake valve



| Abb. Pict. | Bestell-Nr. Order-No. | Beschreibung Description   |
|------------|-----------------------|--|
| 1          | 529524                | Wasserfüllventil/kpl.<br>Water intake valve/cpl.                         |
| 2          | 529525                | Wasserfüllventil/kpl., lange Achse<br>Water intake valve/cpl., long axle |
| 3          | 111020                | Knebel<br>Knob   |

| Abb. Pict. | Bestell-Nr. Order-No. | Beschreibung Description    |
|------------|-----------------------|-----------------------------|
| 4          | 528779                | Überwurfmutter<br>Union nut |
| 5          | 111068                | Knebel<br>Knob              |
| 6          | 111069                | Rosette<br>Rosette          |

| Abb. Pict. | Bestell-Nr. Order-No. | Beschreibung Description |
|------------|-----------------------|--------------------------|
| 7          | 111098                | Knebel<br>Knob           |
| 8          | 111103                | Deckel<br>Cap            |

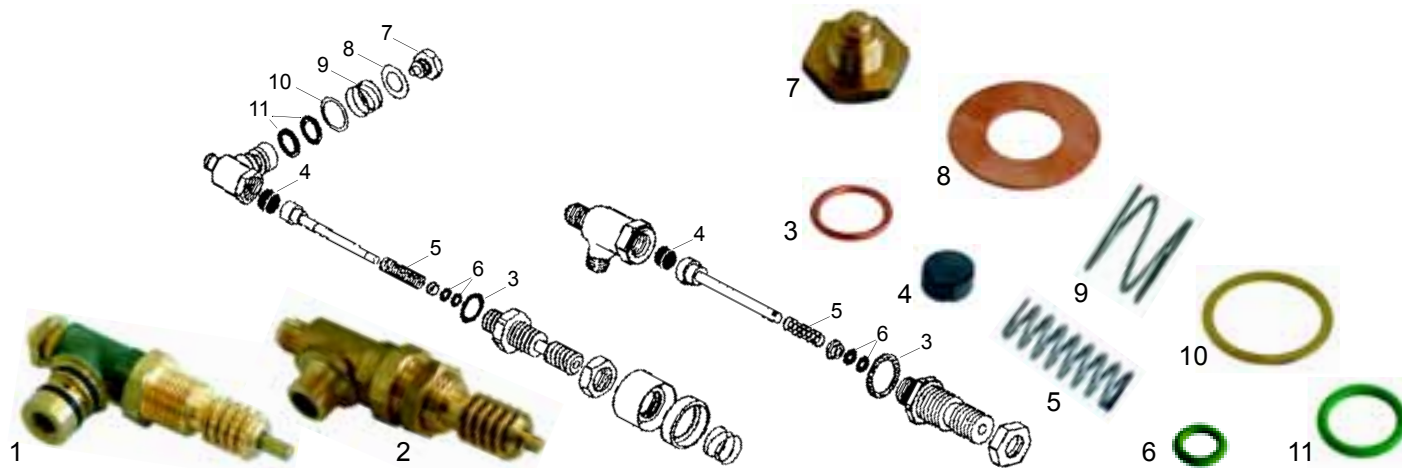


| Abb. Pict. | Bestell-Nr. Order-No. | Beschreibung Description |
|------------|-----------------------|--------------------------|
| 9          | 528420                | Cu-Dichtung<br>Cu-gasket |
| 10         | 528423                | Feder<br>Spring          |
| 11         | 528595                | Buchse<br>Bush           |

| Abb. Pict. | Bestell-Nr. Order-No. | Beschreibung Description |
|------------|-----------------------|--------------------------|
| 12         | 528596                | Dichtung<br>Gasket       |
| 13         | 528469                | O-Ring<br>O-ring         |

| Abb. Pict. | Bestell-Nr. Order-No. | Beschreibung Description                          |
|------------|-----------------------|---|
| 14         | 528597                | Wellenverlängerung, 17mm<br>Shaft extension, 17mm |
| 15         | 528598                | Welle, 42mm<br>Shaft, 42mm                        |

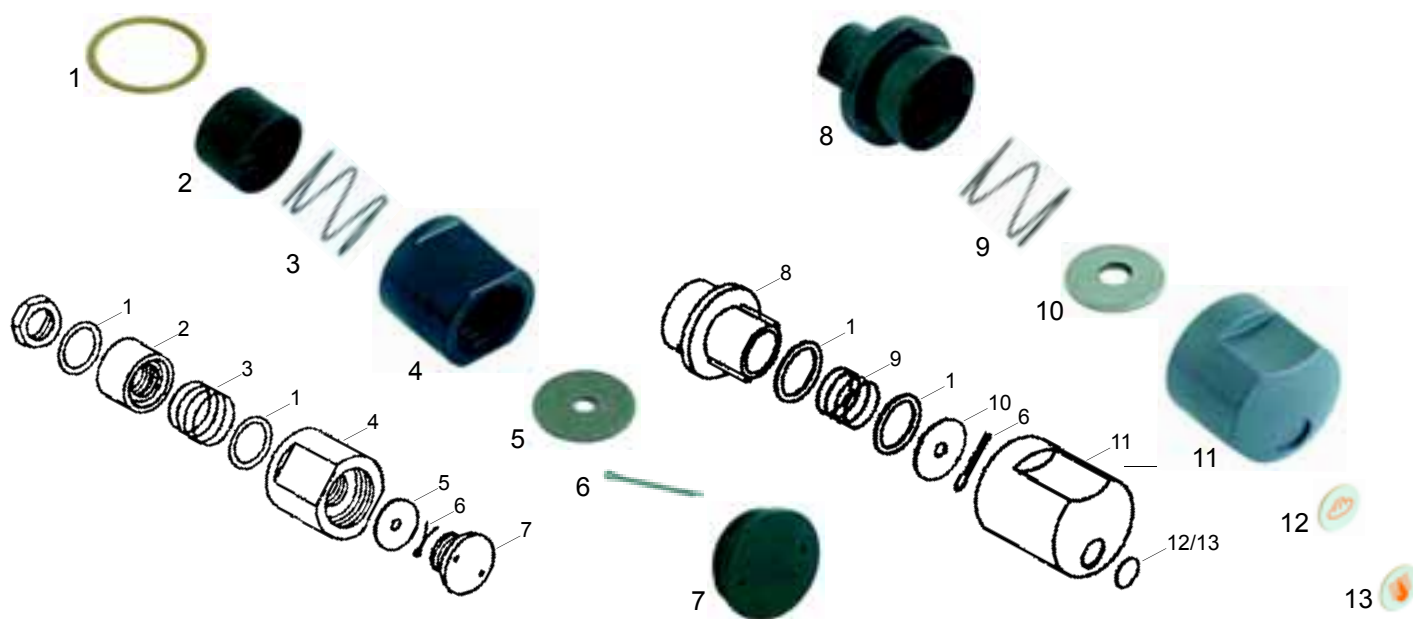
## Hähne/Taps



| Abb. Pict. | Bestell-Nr. Order-No. | Beschreibung Description                    |
|------------|-----------------------|---|
| 1          | 529520                | Dampf-/Wasserhahn/kpl. Steam-/Watertap/cpl. |
| 2          | 528427                | Dampf-/Wasserhahn/kpl. Steam-/Watertap/cpl. |
| 3          | 528520                | Cu-Dichtung Cu-gasket                       |
| 4          | 528648                | Dichtung (Viton) Gasket (viton)             |

| Abb. Pict. | Bestell-Nr. Order-No. | Beschreibung Description      |
|------------|-----------------------|-------------------------------|
| 5          | 528484                | Feder Spring                  |
| 6          | 528649                | O-Ring (Viton) O-ring (viton) |
| 7          | 528643                | Schraube Screw                |
| 8          | 528644                | Scheibe Washer                |

| Abb. Pict. | Bestell-Nr. Order-No. | Beschreibung Description |
|------------|-----------------------|--------------------------|
| 9          | 528645                | Feder Spring             |
| 10         | 528646                | Scheibe Washer           |
| 11         | 528647                | O-Ring O-ring            |



| Abb. Pict. | Bestell-Nr. Order-No. | Beschreibung Description |
|------------|-----------------------|--------------------------|
| 1          | 528759                | Scheibe Washer           |
| 2          | 528650                | Buchse Bush              |
| 3          | 528780                | Feder Spring             |
| 4          | 111104                | Knebel Knob              |
| 5          | 528781                | Scheibe Washer           |

| Abb. Pict. | Bestell-Nr. Order-No. | Beschreibung Description |
|------------|-----------------------|--------------------------|
| 6          | 528762                | Stift Pin                |
| 7          | 111110                | Deckel Cap               |
| 8          | 528760                | Buchse Bush              |
| 9          | 528758                | Feder Spring             |

| Abb. Pict. | Bestell-Nr. Order-No. | Beschreibung Description |
|------------|-----------------------|--------------------------|
| 10         | 528761                | Scheibe Washer           |
| 11         | 111122                | Knebel Knob              |
| 12         | 111113                | Deckel/Dampf Cap/steam   |
| 13         | 111114                | Deckel/Wasser Cap/water  |

## 1 Rohre/Pipes

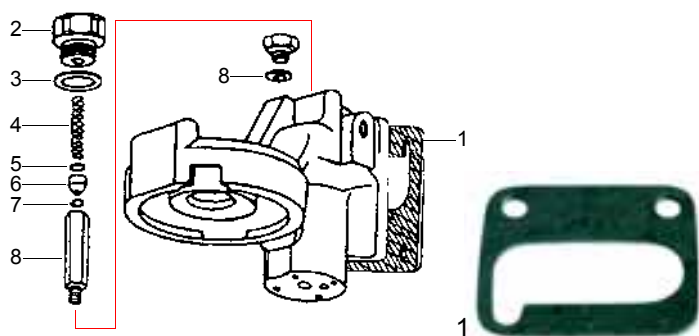


| Abb. Pict. | Bestell-Nr. Order-No. | Beschreibung Description           |
|------------|-----------------------|------------------------------------|
| 1          | 529521                | Dampfrohr<br>Steam pipe            |
| 2          | 529522                | Wasserrohr<br>Water pipe           |
| 3          | 528643                | Augenschraube<br>Banjo stem single |
| 4          | 528644                | Scheibe<br>Washer                  |
| 5          | 528645                | Feder<br>Spring                    |

| Abb. Pict. | Bestell-Nr. Order-No. | Beschreibung Description                        |
|------------|-----------------------|---|
| 6          | 528646                | Scheibe<br>Washer                               |
| 7          | 528647                | O-Ring (Viton)<br>O-ring (viton)                |
| 8          | 529587                | Dampfrohr<br>Steam pipe                         |
| 8          | 529588                | Dampfrohr (CNS)<br>Steam pipe (stainless steel) |
| 9          | 529589                | Wasserrohr<br>Water pipe                        |

| Abb. Pict. | Bestell-Nr. Order-No. | Beschreibung Description |
|------------|-----------------------|--------------------------|
| 10         | 528401                | Dichtung<br>Gasket       |
| 11         | 528184                | Feder<br>Spring          |
| 12         | 528653                | Scheibe<br>Washer        |
| 13         | 528654                | Buchse<br>Bush           |
| 14         | 528655                | O-Ring<br>O-ring         |

## Gruppe/Group

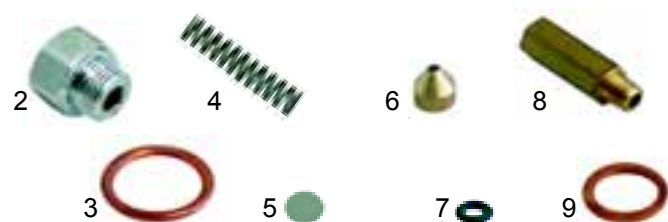


| Abb. Pict. | Bestell-Nr. Order-No. | Beschreibung Description        |
|------------|-----------------------|---------------------------------|
| 1          | 528763                | Gruppendichtung<br>Group gasket |

## Siebträgerdichtungen/Filter holder gaskets



| Abb. Pict. | Bestell-Nr. Order-No. | Beschreibung Description   |
|------------|-----------------------|--|
| 1          | 528033                | Distanzeinlage, 71 x 68mm<br>Shim gasket, 71 x 68mm                          |
| 2          | 528030                | Siebträgerdichtung, 73 x 57 x 8mm<br>Filter holder gasket, 73 x 57 x 8mm     |
| 2          | 528031                | Siebträgerdichtung, 73 x 57 x 8,5mm<br>Filter holder gasket, 73 x 57 x 8,5mm |
| 2          | 528032                | Siebträgerdichtung, 73 x 57 x 9mm<br>Filter holder gasket, 73 x 57 x 9mm     |
| 3          | 529079                | Siebträgerfeder<br>Filter holder spring                                      |



| Abb. Pict. | Bestell-Nr. Order-No. | Beschreibung Description            |
|------------|-----------------------|-------------------------------------|
| 2          | 528659                | Endkappe<br>Ending cap              |
| 3          | 528520                | Dichtung<br>Gasket                  |
| 4          | 528668                | Feder<br>Spring                     |
| 5          | 528669                | Filter<br>Filter                    |
| 6          | 528670                | Düse<br>Nozzle                      |
| 7          | 528765                | O-Ring (Viton)<br>O-ring (viton)    |
| 8          | 528766                | Verlängerung, M6<br>Lengthening, M6 |
| 8          | 528767                | Verlängerung, M8<br>Lengthening, M8 |
| 9          | 528662                | Cu-Dichtung<br>Cu-Gasket            |

## Filter/Filter



| Abb. Pict. | Bestell-Nr. Order-No. | Beschreibung Description                       |
|------------|-----------------------|--|
| 1          | 529012                | Filter, 1 Tasse (6g)<br>Filter, 1 cup (6g)     |
| 1          | 529011                | Filter, 1 Tasse (7g)<br>Filter, 1 cup (7g)     |
| 2          | 529014                | Filter, 2 Tassen (12g)<br>Filter, 2 cups (12g) |
| 2          | 529013                | Filter, 2 Tassen (14g)<br>Filter, 2 cups (14g) |
| 3          | 529023                | Blindfilter<br>Blindfilter                     |

## Siebträger/Filter holder



| Abb. Pict. | Bestell-Nr. Order-No. | Beschreibung Description                 |
|------------|-----------------------|--|
| 1          | 529041                | Siebträger, M12<br>Filter holder, M12    |
| 2          | 529121                | Siebträger-Griff<br>Filter holder handle |
| 3          | 529148                | Siebträger-Griff<br>Filter holder handle |
| 4          | 529147                | Deckel<br>Cap                            |

## Dusche/Shower



| Pos. Item | Bestell-Nr. Order-No. | Beschreibung Description |
|-----------|-----------------------|--------------------------|
| 1         | 529081                | Verteiler<br>Dispersion  |
| 2         | 529080                | Dusche<br>Shower         |



## 1 Siebträger/Filter holder



| Abb. Pict. | Bestell-Nr. Order-No. | Beschreibung Description                 |
|------------|-----------------------|--|
| 1          | 529150                | Siebträger<br>Filter holder              |
| 2          | 529112                | Siebträger-Griff<br>Filter holder handle |
| 3          | 529123                | Schraube<br>Screw                        |

## Ausläufe/Spouts



| Abb. Pict. | Bestell-Nr. Order-No. | Beschreibung Description                                  |
|------------|-----------------------|---|
| 1          | 529001                | Auslauf 3/8", 1 Weg lang<br>Spout 3/8", one way long      |
| 2          | 529003                | Auslauf 3/8", 1 Weg gebogen<br>Spout 3/8", one way curved |
| 3          | 529007                | Auslauf 3/8", 2 Wege kurz<br>Spout 3/8", two way short    |