

## Magnetventile/Solenoid valves

Scem/Parker



Abb. Pict.	Bestell-Nr. Order-No.	Beschreibung Description
1	370212	kpl., 1/8", 3 Wege, 230V cpl., 1/8", 3 Wege, 230V
2	370067	kpl., 1/4", 2 Wege, 230V cpl., 1/4", 2 Wege, 230V
2	370206	kpl., 1/8", 2 Wege, 230V cpl., 1/8", 2 Wege, 230V
3	371029	Magnetspule, 230V Magnetic coil, 230V

## Zubehör/Accessories

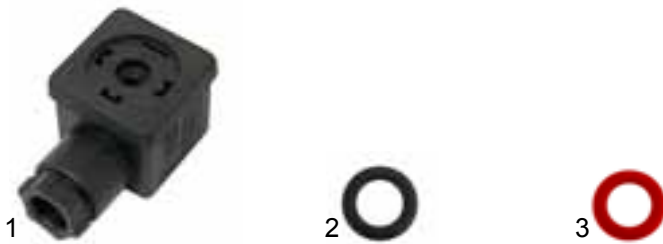


Abb. Pict.	Bestell-Nr. Order-No.	Beschreibung Description
1	371090	Stecker Plug
2	371095	O-Ring (Viton) O-ring (viton)
2	371100	O-Ring (Silikon) O-ring (silicon)

## Pressostate/Pressure switches



Abb. Pict.	Bestell-Nr. Order-No.	Beschreibung Description
1	541021	Pressostat Pressure switch
2	520139	Membrane Membrans

## Thermostate/Thermostats



Abb. Pict.	Bestell-Nr. Order-No.	Beschreibung Description
1	390367	Anlegethermostat, 130°C, 2-polig Stoke thermostat, 130°C, 2 poles
2	390368	Boiler-Thermostat, +40 – +150°C, 1-polig Boiler-Thermostat, +40 – +150°C, 1 pole

## Schalter/Switches



Abb. Pict.	Bestell-Nr. Order-No.	Beschreibung Description
1	346079	Hauptschalter Main switch
2	111012	Knebel Knob
3	345044	Mikroschalter Microswitch

## Schalter/Switches



Abb. Pict.	Bestell-Nr. Order-No.	Beschreibung Description
1	346081	Schalter/Kaffee Switches/coffee
2	346082	Taster/Dampf Push button/steam
3	346083	Taster/Wasser Push button/water
4	359155	Signallampe/rot Signal lamp/red

## Niveaugler/Level controller



1

Abb. Pict.	Bestell-Nr. Order-No.	Beschreibung Description
1	400019	Niveaugler (RL30/1E-2C/F) Level controller (RL30/1E-2C/F)

## Flowmeter/Flowmeter



1

2

3

4

Abb. Pict.	Bestell-Nr. Order-No.	Beschreibung Description
1	400222	Flowmeter, 1/4" Flowmeter, 1/4"
2	400256	Stecker Plug
3	400257	Zählrad Flowmeter reel
4	400258	Gehäusedichtung Case gasket

## Tastaturen/Key push buttons



1

2

Abb. Pict.	Bestell-Nr. Order-No.	Beschreibung Description
1	400452	Tastatur mit Tee-Taste Key push button with Tea-push button
2	400453	Tastatur (Alt) Key push button (old)

## Heizkörper/Heaters



1

2

3

4

Abb. Pict.	Bestell-Nr. Order-No.	Beschreibung Description
1	417045	1 Gruppe, 1 1/4", L=160mm), 1500W, 230V 1 group, 1 1/4", L=160mm), 1500W, 230V
2	417080	2 Gruppen, 1 1/4", L=240mm, 2500W, 230V 2 groups, 1 1/4", L=240mm, 2500W, 230V
3	417125	2 Gruppen, 1 1/4", L=290mm, 1500W, 230V 2 groups, 1 1/4", L=290mm, 1500W, 230V
4	417126	1 Gruppe, L=200mm, 1300W, 230V 1 group, L=200mm, 1300W, 230V



1

2

3

4

Abb. Pict.	Bestell-Nr. Order-No.	Beschreibung Description
1	417127	2 Gruppen, 1 1/4" (L=20mm), 1400W, 230V 2 groups, 1 1/4" (L=20mm), 1400W, 230V
2	417047	2 Gruppen, 1 1/4" (L=410mm), 3000W, 230V/400V 2 groups, 1 1/4" (L=410mm), 3000W, 230V/400V
3	417128	3/4 Gruppen, 1 1/4" (L=500mm), 4000W, 230V 3/4 groups, 1 1/4" (L=500mm), 4000W, 230V/
4	417129	3 Gruppen, 1 1/4" (L=600mm), 1600W, 230V 3 groups, 1 1/4" (L=600mm), 1600W, 230V



1



2

Abb. Pict.	Bestell-Nr. Order-No.	Beschreibung Description
1	528022	Dichtung, 1 1/4" (Teflon) Gasket, 1 1/4" (teflon)
2	528789	Kesseldichtung, 5 Löcher Pot gasket, 5 holes

Passend für/Suitable for Marzocco 1

## Manometer/Manometer



Pos. Item	Bestell-Nr. Order-No.	Beschreibung Description
1	541285	Manometer/Doppelskala Manometer/double scale

## Ventile/Valves



Abb. Pict.	Bestell-Nr. Order-No.	Beschreibung Description
1	529312	Sicherheitsventil, 1,8bar, 3/8" Safety valve, 1,8bar, 3/8"
2	529316	Sicherheitsventil/plombiert, 1,8bar, 3/8" Safety valv/sealed, 1,8bar, 3/8"
3	529303	Entlüftungsventil (CNS), 1/4" Empty valve (stainless steel), 1/4"
4	529304	Entlüftungsventil, 1/4" Empty valve, 1/4"
5	529361	Cu-Dichtung, 1/4" Cu-gasket, 1/4"
6	529349	Cu-Dichtung, 3/8" Cu-gasket, 3/8"



Abb. Pict.	Bestell-Nr. Order-No.	Beschreibung Description
1	528790	Rückschlagventil Retention valve
2	528791	Expansionsventil Expansion valve

## Wasserstandsglas/Level glass

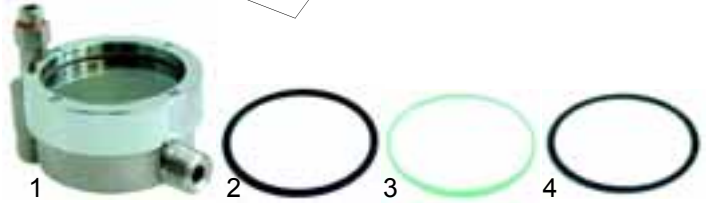
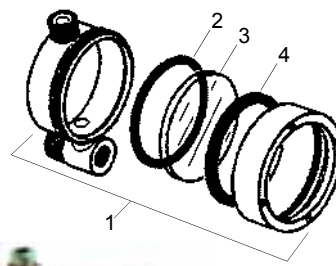


Abb. Pict.	Bestell-Nr. Order-No.	Beschreibung Description
1	528792	Wasserstandsglas/kpl. Level glass/cpl.
2	528793	O-Ring O-ring
3	528794	Wasserstandsglas Level glass
4	528795	Dichtung Gasket

## Hähne/Tabs

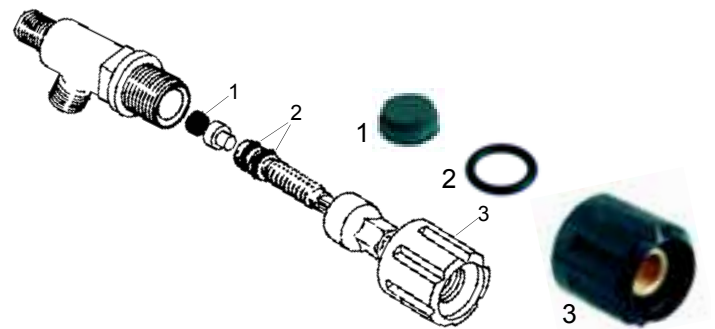


Abb. Pict.	Bestell-Nr. Order-No.	Beschreibung Description
1	528796	Dichtung Gasket
2	528797	O-Ring O-ring
3	111013	Knebel Knob



Abb. Pict.	Bestell-Nr. Order-No.	Beschreibung Description
1	528798	Dampfrohr Steam pipe
2	528797	O-ring O-ring

## Hähne/Taps

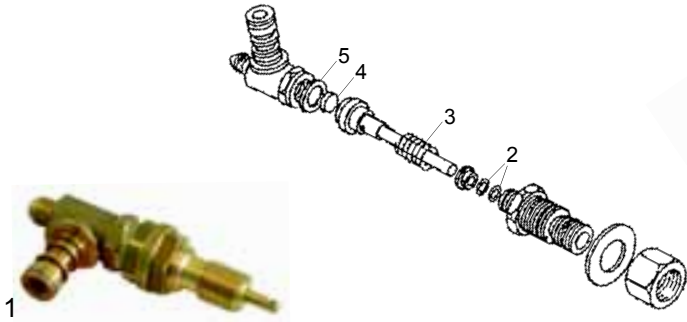


Abb. Pict.	Bestell-Nr. Order-No.	Beschreibung Description
1	529500	Dampf-, Wasserhahn/kpl., 1mm Steigung Steam-, watertap/cpl., 1mm gradient



Abb. Pict.	Bestell-Nr. Order-No.	Beschreibung Description
2	528485	Dichtung Gasket
3	528503	Feder Spring
4	528502	Dichtung Gasket
5	528501	Cu-Dichtung Cu-gasket

## Rohre/Pipes



Abb. Pict.	Bestell-Nr. Order-No.	Beschreibung Description
1	529506	Dampfrohr Steam pipe
2	528504	O-Ring O-ring
3	529701	Feder Spring
4	529703	Scheibe Washer
5	529702	Seegering Seeger circlip ring

## Knebel/Knobs



Abb. Pict.	Bestell-Nr. Order-No.	Beschreibung Description
1	111006	Knebel, 2mm Steigung Knob, 2mm gradience
2	111007	Knebel, 1mm Steigung Knob, 1mm gradience
3	111008	Symbol/Wasser Symbol/water
4	111009	Symbol/Dampf Symbol/steam



## Gruppe/Group

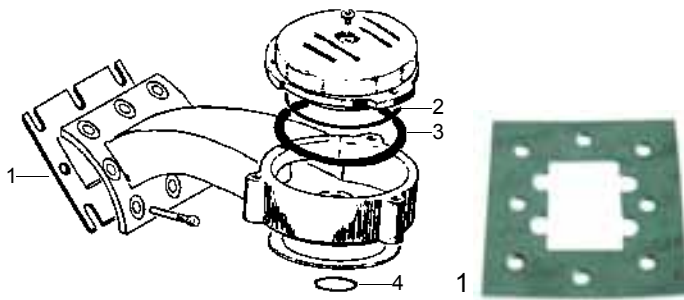


Abb. Pict.	Bestell-Nr. Order-No.	Beschreibung Description
1	528803	Gruppendichtung Group gasket

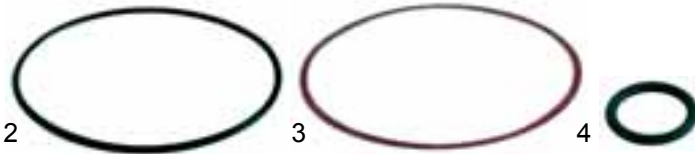


Abb. Pict.	Bestell-Nr. Order-No.	Beschreibung Description
2	528800	O-Ring O-ring
3	528801	Dichtung Gasket
4	528802	O-Ring O-ring

## Dusche/Shower



Abb. Pict.	Bestell-Nr. Order-No.	Beschreibung Description
1	529091	Dusche Shower
2	529079	Siebträgerfeder Filter holder spring

## Siebträgerdichtungen/Filter holder gaskets



Abb. Pict.	Bestell-Nr. Order-No.	Beschreibung Description
1	528033	Distanzeinlage, 71 x 58mm Shirn gasket, 71 x 58mm
2	528065	Siebträgerdichtung, 72 x 55 x 6mm Shirn gasket, 72 x 55 x 6mm
2	528066	Siebträgerdichtung, 72 x 55 x 7mm Shirn gasket, 72 x 55 x 7mm

## Siebe/Filter



Abb. Pict.	Bestell-Nr. Order-No.	Beschreibung Description
1	529012	Sieb, 1 Tasse (6g) Filter, 1 cup (6g)
1	529011	Sieb, 1 Tasse (7g) Filter, 1 cup (7g)
2	529014	Sieb, 2 Tassen (12g) Filter, 2 cups (12g)
2	529013	Sieb, 2 Tassen (14g) Filter, 2 cups (14g)
3	529023	Blindsieb Blindfilter

## Siebträger/Filter holder



Abb. Pict.	Bestell-Nr. Order-No.	Beschreibung Description
1	529204	Siebträger, M12, 3/8" Filter holder, M12, 3/8"
2	529044	Siebträgergriff, M12 Filter holder handle, M12



Abb. Pict.	Bestell-Nr. Order-No.	Beschreibung Description
1	529205	Siebträger, M10, 3/8" Filter holder, M10, 3/8"
2	529053	Siebträgergriff, M10 Filter holder handle, M10

## Ausläufe/Spouts



Abb. Pict.	Bestell-Nr. Order-No.	Beschreibung Description
1	529004	3/8", 1 Weg, gebogen/geschlossen 3/8", 1 way, curved/closed
2	529007	3/8", 2 Wege, Abstand 55mm/kurz 3/8", 2 ways, distance 55mm/short