

1 Passend für/Suitable for Reneka

Magnetventile/Solenoid valves

Scem/Parker



Abb. Pict.	Bestell-Nr. Order-No.	Beschreibung Description
1	370057	kpl., 3 Wege, 230VAC cpl., 3 ways, 230VAC
2	370062	Ventilkörper, 3 Wege Solenoid square pin, 3 ways
3	370206	kpl., 2 Wege, 1/8", 230VAC cpl., 2 ways, 1/8", 230VAC
4	371029	Magnetspule, 230VAC Magnetic coil, 230VAC

Lucifer



Abb. Pict.	Bestell-Nr. Order-No.	Beschreibung Description
1	370053	Magnetventil/kpl., 3 Wege, 230VAC Solenoid valve/cpl., 3 ways, 230VAC
2	370061	Ventilkörper, 3 Wege Solenoid square pin, 3 ways
3	370072	Magnetventil/kpl., 2 Wege, 1/8", 230VAC Solenoid valve/cpl., 2 ways, 1/8", 230VAC
4	371031	Magnetspule, 230VAC Magnetic coil, 230VAC

ODE



Abb. Pict.	Bestell-Nr. Order-No.	Beschreibung Description
1	370203	kpl., 3 Wege, 230VAC cpl., 3 ways, 230VAC
2	371150	Magnetspule, 230VAC Magnetic coil, 230VAC

Zubehör/Accessories



Abb. Pict.	Bestell-Nr. Order-No.	Beschreibung Description
1	371090	Stecker/groß Plug/big
2	371095	O-Ring (Viton) O-ring (viton)
3	371100	O-Ring (Silikon) O-ring (silikon)

Pressostat, Schalter/Pressure switches, switches



Abb. Pict.	Bestell-Nr. Order-No.	Beschreibung Description
1	541021	Pressostat, 3-polig Pressure switch, 3 poles
2	346124	Hauptschalter Main switch
3	359252	Signallampe Signal lamp

Flowmeter/Flowmeter



Abb. Pict.	Bestell-Nr. Order-No.	Beschreibung Description
1	400004	Flowmeter, 1/4" Flowmeter, 1/4"
2	400256	Stecker Plug
3	400257	Zählrad Flowmeter reel
4	400258	Gehäusedichtung Case gasket

Tastaturen/Key push buttons

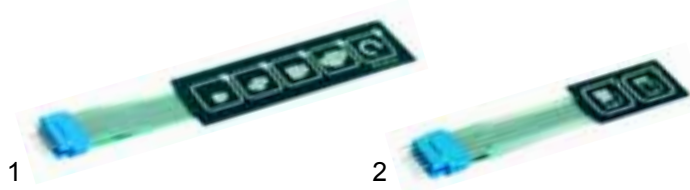


Abb. Pict.	Bestell-Nr. Order-No.	Beschreibung Description
1	400486	Tastatur/Kaffee Key push button/coffee
2	400487	Tastatur/Wasser Key push button/water

Heizkörper/Heaters



Abb. Pict.	Bestell-Nr. Order-No.	Beschreibung Description
1	417136	Heizkörper, 1 Gruppe, 2100W, 230V Heater, 1 group, 2100W, 230V
2	417137	Heizkörper, 2 Gruppen, 3100W, 230V Heater, 2 groups, 3100W, 230V
3	417138	Heizkörper, 3 Gruppen, 5500W, 230V Heater, 3 groups, 5500W, 230V
4	528847	Heizkörperdichtung Heater gasket

Manometer/Manometer



Abb. Pict.	Bestell-Nr. Order-No.	Beschreibung Description
1	541289	Manometer, 0 - 3bar Manometer, 0 - 3bar
2	541290	Manometer, 0 - 16bar Manometer, 0 - 16bar

Ventile/Valves

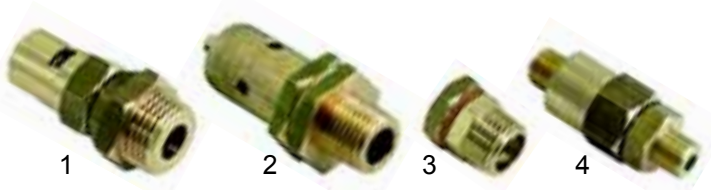


Abb. Pict.	Bestell-Nr. Order-No.	Beschreibung Description
1	529306	Sicherheitsventil Safety valve
2	529827	Sicherheitsventil/verplombt Safety valve/sealed
3	529305	Entlüftungsventil, 3/8" Empty valve, 3/8"
4	529335	Rückschlagventil, 1/8" Retention valve, 1/8"

Hähne/Taps

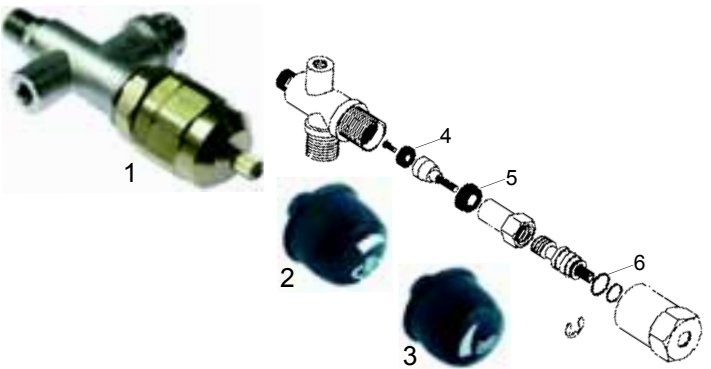


Abb. Pict.	Bestell-Nr. Order-No.	Beschreibung Description
1	529830	Damp- und Wasserhahn/kpl. Steam- and water tap/cpl.
2	111170	Knebel/Dampf Knob/steam
3	111171	Knebel/Wasser Knob/water



Abb. Pict.	Bestell-Nr. Order-No.	Beschreibung Description
4	528848	Dichtung Gasket
5	528849	Dichtung Gasket
6	528850	O-Ring O-ring

Rohre/Pipes



Abb. Pict.	Bestell-Nr. Order-No.	Beschreibung Description
1	529831	Dampfrohr Steam pipe
2	529832	Wasserrohr Water pipe
3	529833	Wasserrohr (VIVA) Water pipe (VIVA)
4	528851	O-Ring O-ring

Rohre/Pipes

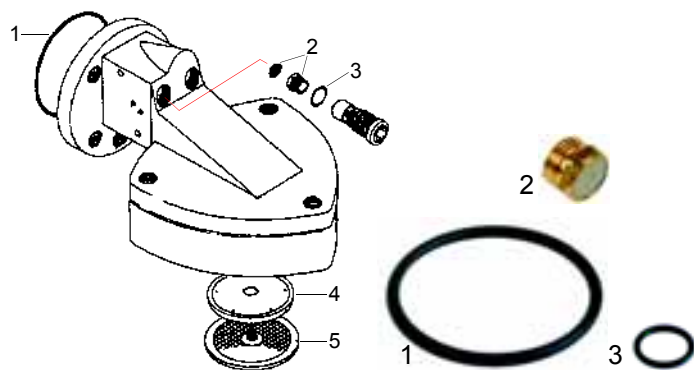


Abb. Pict.	Bestell-Nr. Order-No.	Beschreibung Description
1	528852	O-Ring O-ring
2	528853	Filter Filter
3	528854	O-Ring O-ring

Dusche/Shower



Abb. Pict.	Bestell-Nr. Order-No.	Beschreibung Description
1	528855	Verteiler Dispersion
2	528856	Dusche Shower

Siebträgerdichtungen/Filter holder gaskets



Abb. Pict.	Bestell-Nr. Order-No.	Beschreibung Description
1	528037	Siebträgerdichtung Filter holder gasket
2	529079	Siebträgerfeder Filter holder spring

Siebe/Filter



Abb. Pict.	Bestell-Nr. Order-No.	Beschreibung Description
1	529012	Sieb, 1 Tasse (6g) Filter, 1 cup (6g)
1	529011	Sieb, 1 Tasse (7g) Filter, 1 cup (7g)
2	529014	Sieb, 2 Tassen (12g) Filter, 2 cups (12g)
2	529013	Sieb, 2 Tassen (14g) Filter, 2 cups (14g)
3	529023	Blindsieb Blindfilter

Siebträger/Filter holder



Abb. Pict.	Bestell-Nr. Order-No.	Beschreibung Description
1	529033	Siebträger, 3/8" Filter holder, 3/8"
2	529207	Siebträgergriff Filter holder handle
2	529208	Siebträgergriff Filter holder handle

Ausläufe/Spouts



Abb. Pict.	Bestell-Nr. Order-No.	Beschreibung Description
1	529001	Auslauf 3/8", 1 Weg lang Spout 3/8", one way long
2	529003	Auslauf 3/8", 1 Weg gebogen Spout 3/8", one way curved
3	529007	Auslauf 3/8", 2 Wege kurz Spout 3/8", two way short